

TECHLONOGY	03
QUICK RELEASE	04
THRU AXLE	08
SEAT CLAMP	14
TOP CAP	24
HEADSETS PARTS	26
CRANK SET	30
CHAINRING SYSTEM	32
E-BIKE SYSTEM	36
ROLLER KIT SERIES	37
BMX SERIES	40
CHAINRING PARTS	42
CHAIN GUIDE SYSTEM	44
BRAKE SYSTEM	52
SEATPOST	56
STEM SYSTEM	58
HANDLEBAR	62
AEROBAR SYSTEM	66
COMPUTER MOUNT	68
WATER BOTTLE & CAGE	76
ACCESSORIES	80
FITTING EQUIPMENT	100
INLINE SKATES	102
LAI-J FOLDING CHAIR	106

technology



QUICK
RELEASE

THRU AXLE

SEAT CLAMP

TOP CAP

HEADSETS
PARTS

CRANK SET

CHAINRING
SYSTEM

E-BIKE SYSTEM

ROLLER KIT
SERIES

BMX SERIES

CHAINRING
PARTS

CHAIN GUIDE
SYSTEM

BRAKE SYSTEM

SEATPOST

STEM SYSTEM

HANDLEBAR

AEROBAR
SYSTEM

COMPUTER
MOUNT

WATER BOTTLE &
CAGE

ACCESSORIES

FITTING
EQUIPMENT

INLINE SKATES

LAI-J
FOLDING CHAIR

CARBON INJECTION TECHNOLOGY

We started to use carbon Long fibers with nylon Injection to Create carbon high texture lightweight products. Long fibers in the pellet form Advantage.

FATIGUE TESTING MACHINE

To ensure the safety of riders, we thoroughly test every product according to the "CEN" standards. It's our goal to let our riders not only experience lightweight but also safety.

INSPECTION MACHINE

Our lightweight carbon-fiber made products are of the finest quality. To assure this quality, we test our carbon-fiber products from top to bottom with the inspection machine.

MICROCOMPUTER ATTENUATION TESTER

We our pioneers in product quality and know that carbon-fiber is an ambiguous material.

Therefore we also check our carbon-fiber made products' strength by our Microcomputer Attenuation Test. The test puts them under 150kg of pure force, two times, for 30 seconds. The result, a safe and reliable product that every rider can trust.our carbon-fiber products from top to bottom with the inspection machine.

HARDNESS TESTING MACHINE

To assure the intensity and safe structure of our products to meet the international standards, we carry out discreet sample inspection to pass the hardness test. It is important to us that we deliver consistency in our product quality.

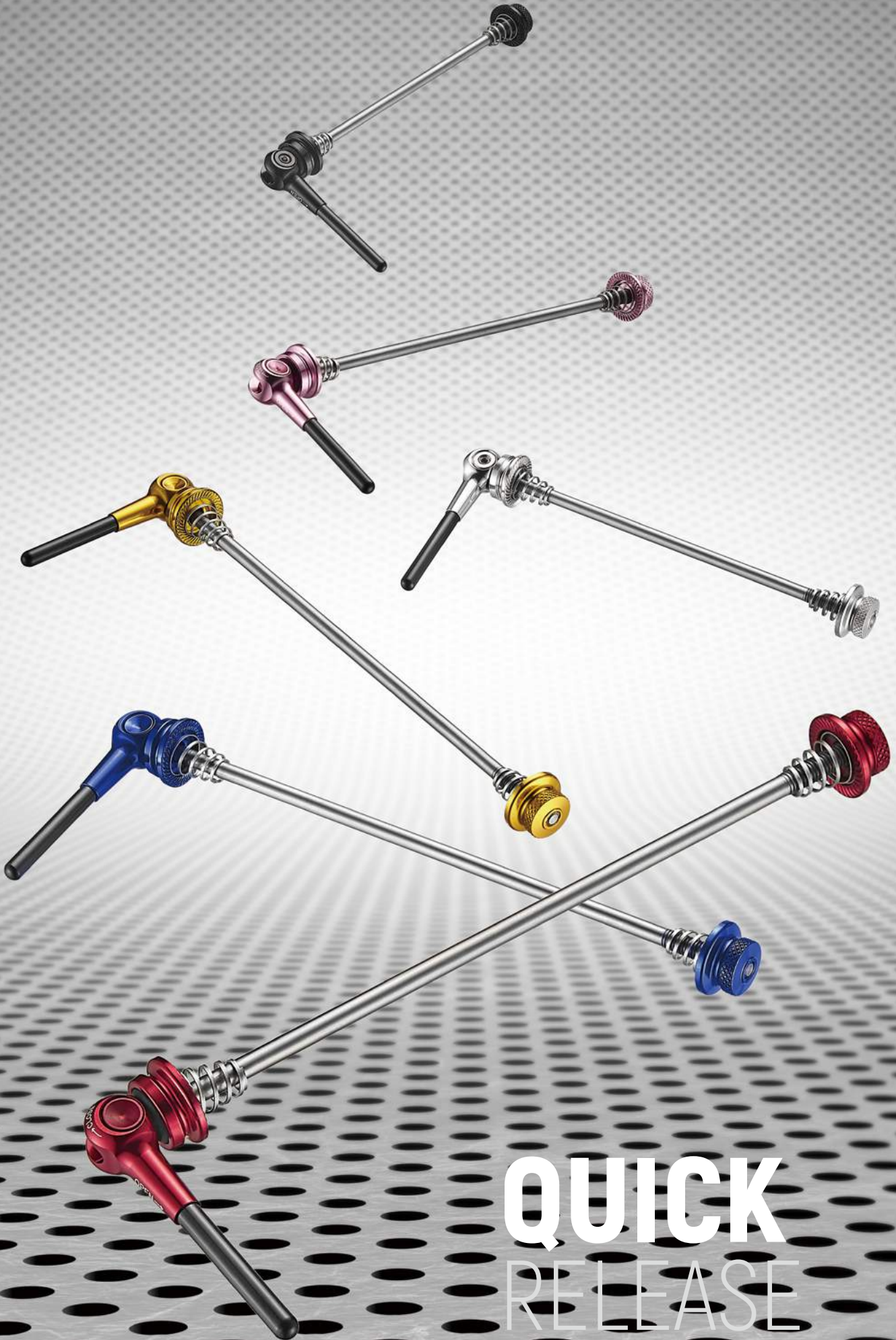
COORDINATE MEASURING MACHINE

The coordinate measuring machine is key to reach our goal of high product standards. We only want to provide our customers the best and most excellent quality. Therefore we use 2.5D CMM techniques to test all our products.

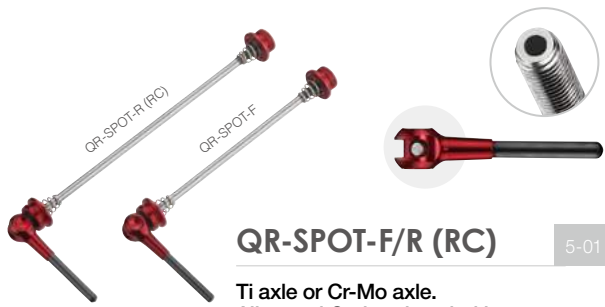
EFBE, TESTING CENTER IN GERMANY

After EN testing at Cycling & Health Industry R&D Center (in Taiwan) we send our products for further inspections to EFBE in Germany, so that we can assure our high expectations and meet the international standard.





QUICK
RELEASE



QR-SPOT-F/R (RC)

5-01

Ti axle or Cr-Mo axle.
Alloy and Carbon bonded lever.

WEIGHT: 43g/pair (ROAD) / 46g/pair (MTB)
OPTION: Hollow bolt axle available



QR-K-F/R (RC)

5-02

Ti axle / Alloy lever.

WEIGHT: 53g/pair (ROAD) / 56g/pair (MTB)
OPTION: Cr-Mo axle



QR-SPOC-F/R (RC)

5-03

Ti axle or Cr-Mo axle / Alloy lever.

WEIGHT: 45g/pair (ROAD) / 47g/pair (MTB)
OPTION: Hollow bolt axle available
QR-SPOC-F / 100 for front
QR-SPOC-R / 135 for MTB rear
QR-SPOC-RC / 130 for Road bike rear



QR-SPL-F/R (RC)

5-04

Cr-Mo axle / Alloy lever.

WEIGHT: 71g/pair (ROAD) / 75g/pair (MTB)
OPTION: Ti axle
QR-SPL-F / 100 for front
QR-SPL-R / 135 for MTB rear
QR-SPL-RC / 130 for Road bike rear



QR-20E-F/R (RC)

5-05

Steel axle / Alloy lever.

WEIGHT: 113g/pair (ROAD)



QR-KM2H-M52

5-06

Cr-Mo axle.

QR-KM2H-M52F / 100 for front
QR-KM2H-M52R / 135 for MTB rear
QR-KM2H-M52RC / 130 for Road bike rear



QR-KE06H-M54

5-07

New style for economy quick release.
AL6061-T6 / Cr-Mo axle.

WEIGHT: 115g/pair (ROAD) / 118g/pair (MTB)
QR-KE06H-M54S / for seattube
QR-KE06H-M54F / 100 for front
QR-KE06H-M54R / 135 for MTB rear
QR-KE06H-M54RC / 130 for Road bike rear



PROMOTION QR-KE06E

5-08

New style for economy quick release.
AL6061-T6 / Steel axle.

WEIGHT:
121g/pair (ROAD) / 124g/pair (MTB)
QR-KE06E-SE / for seattube
QR-KE06E-EF / 100 for front
QR-KE06E-ER / 135 for MTB rear
QR-KE06E-ERC / 130 for Road bike rear



QUICK RELEASE

THRU AXLE

SEAT CLAMP

TOP CAP

HEADSETS PARTS

CRANK SET

CHAINRING SYSTEM

E-BIKE SYSTEM

ROLLER KIT SERIES

BMX SERIES

CHAINRING PARTS

CHAIN GUIDE SYSTEM

BRAKE SYSTEM

SEATPOST

STEM SYSTEM

HANDLEBAR

AEROBAR SYSTEM

COMPUTER MOUNT

WATER BOTTLE & CAGE

ACCESSORIES

FITTING EQUIPMENT

INLINE SKATES

LAI-J FOLDING CHAIR



QR-KM2

6-01

QR-KM1-SE for seattube
 QR-KM1-EF / 100 for front
 QR-KM1-ER / 135 for MTB rear
 QR-KM1-ERC / 130 for Road bike rear



QR-KM1

6-02

QR-KM1-SE for seattube
 QR-KM1-EF / 100 for front
 QR-KM1-ER / 135 for MTB rear
 QR-KM1-ERC / 130 for Road bike rear



PROMOTION QR-11-E

6-03

With plastic nut + steel.
 QR-11-SE for seattube
 QR-11-EF / 100 for front
 QR-11-ER / 135 for MTB rear
 QR-11-ERC / 130 for Road bike rear



QR-11-H

6-04

With alloy nut.
 QR-11-SH for seattube
 QR-11-HF / 100 for front
 QR-11-HR / 135 for MTB rear
 QR-11-HRC / 130 for Road bike rear



PROMOTION QR-E21

6-05

With plastic nut + steel.
 QR-E21-SE for seattube
 QR-E21-F / 100 for front
 QR-E21-R / 135 for MTB rear
 QR-E21-RC / 130 for Road bike rear



QR-KM2-SE

6-06

For seattube.
 Cr-Mo axle.
 AL6061-T6 lever.



QR-CLOSE

6-07

For seattube.
 Cr-Mo axle.
 AL6061-T6 lever.



QR-XL

6-08

For seattube.
 Cr-Mo axle.
 AL6061-T6 lever.



QR-OPEN-SE

6-09

For seattube.
 Cr-Mo axle.
 AL6061-T6 lever.



QR-112H2

6-10

For seattube.
 Cr-Mo axle.
 AL6061-T6 lever.





PROMOTION

QR-72E

7-01

Cr-Mo axle / Alloy lever.

WEIGHT: 125g/pair (ROAD) / 126.5g/pair (MTB) / 41.5g/pcs (S)
 QR-72E-S / for seattube
 QR-72E-F / 100 for front
 QR-72E-R / 135 for MTB rear
 QR-72E-RC / 130 for Road bike rear



QR-72M

7-02

Cr-Mo axle / With longer lever (72mm).

WEIGHT: 100g/pair (ROAD) / 103g/pair (MTB) / 39g/pcs (S)
 QR-72M-S for seattube
 QR-72M-F / 100 for front
 QR-72M-R / 135 for MTB rear
 QR-72M-RC / 130 for Road bike rear



QR-72H

7-03

Cr-Mo axle / With longer lever (72mm).

WEIGHT: 123g/pair (ROAD) / 125g/pair (MTB) / 44g/pcs (S)
 QR-72H-S for seattube
 QR-72H-F / 100 for front
 QR-72H-R / 135 for MTB rear
 QR-72H-RC / 130 for Road bike rear



SP-56

7-04

With special allen key to lock & release.

SP-56-F / 100 for front
 SP-56-R / 135 for MTB rear
 SP-56-RC / 130 for Road bike rear
TOOL OPTION: Key ring



SP-56H

7-05

With special allen key to lock & release.
 Hollow bolt (for F & R axle) & Carbon reinforce.

SP-56-SH for seattube
 SP-56-HF / 100 for front
 SP-56-HR / 135 for MTB rear
 SP-56-HRC / 130 for Road bike rear



SP-66

7-06

For seattube.
 Cr-Mo axle.

MATERIAL:
 AL6061-T6

BOLT	W	BOLT	W
40	24	55	39
45	29	60	44
50	34		



CL-AH2

7-07

For seattube.

MATERIAL: Steel heat treatment CNC finished
 W: 19mm / 22mm / 25mm / 27mm
 CL-AH2-001 with anti-pin
 CL-AH2-002 with knurl

CL-AH

7-08

For seattube.

MATERIAL: Steel heat treatment
 W: 19mm / 22mm / 25mm / 27mm

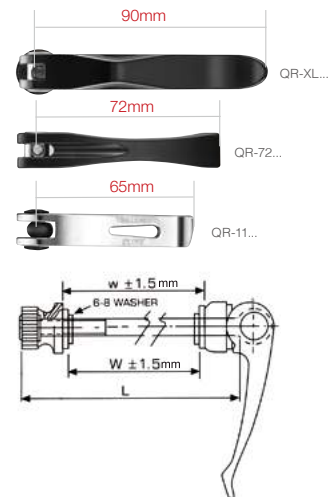
CHART (inmm)

L	PARTS	W	Dia
51	P5+2T	27	8
51	P7+2T	25	8
51	P5	30	6
56	P7+2T	30	8
51	P7	28	6
56	P7+00	33	6
56	P5+00	35	6
136	HUB W:100 / Dropout / t: 4 x 2	108	5
139	HUB W:100 / Dropout / t: 5.5 x 2	111	5
178	HUB W:135 / Dropout / t: 7 x 2	149	5
180	135 / t: 8 x 2	151	5

Double threaded screw PS. 2T= Ø6mm Ø8mm → L-3mm

L	PARTS	W	Dia
68	P5	35	6
68	P7	33	6
60	P5	28	6
Hub QR	L-39	W	5
150/F	Hub w:100 / t: 5.5 x 2	111	5
153/F	Hub w:100 / t: 7 x 2	114	5
181/RC	Hub w:130 / t: 7 x 2	144	5
188/R	Hub w:135 / t: 7 x 2	149	5
192/R	Hub w:135 / t: 9 x 2	153	5

Our quick release levers come with various lengths. Besides the regular length (65mm), we also provide the following length for your reference: 65mm, 72mm and 90mm.



THRU AXLE

SEAT CLAMP

TOP CAP

HEADSETS PARTS

CRANK SET

CHAINRING SYSTEM

E-BIKE SYSTEM

ROLLER KIT SERIES

BMX SERIES

CHAINRING PARTS

CHAIN GUIDE SYSTEM

BRAKE SYSTEM

SEATPOST

STEM SYSTEM

HANDLEBAR

AEROBAR SYSTEM

COMPUTER MOUNT

WATER BOTTLE & CAGE

ACCESSORIES

FITTING EQUIPMENT

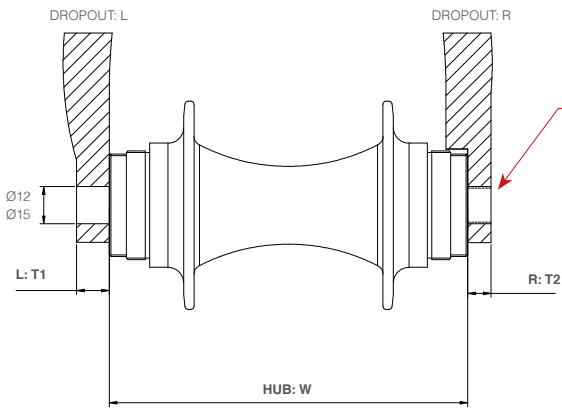
INLINE SKATES

LAI-J FOLDING CHAIR

THRU AXLE

Simplify light weight,
Originality design,
Cost reduction and stiffness





Custom Axle Spec

Standard 100mm Front
Boost 110mm Front
Standard 135/142mm Rear
Boost 148mm Rear
DH150 Rear
Super Boost 157mm Rear

THREAD	
M12 x 1.0	OTHER
M12 x 1.5	SHIMANO*
M12 x 1.75	SRAM*
M15 x 1.5	SHIMANO*

SPEC	Diameter: T1	HUB: W	Diameter: T2	Thread Nut
FORK	-	-	-	W/I
FRAME	-	-	-	W/I

12mm axle with CNC cut to save weight and spiry helicoid cut to prevent axle stuck with dust and mud and prevent the axle stuck in the hub.



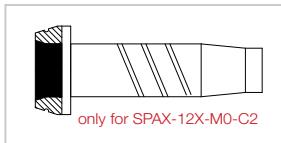
Allen key design at front head and rear end to make a longer life use.



NEW / PROMOTION
SPAX-12X-M0-C2

9-01

MATERIAL: AL6066-T6
SPEC: Refer to the specification table.
OPTION: Thread M12 x 1.0 / M14 x 1.5 / M15 x 1.5
Custom length thread design available



P.A.T. ED World Wide



QUICK RELEASE

THRU AXLE

SEAT CLAMP

TOP CAP

HEADSETS PARTS

CRANK SET

CHAINRING SYSTEM

E-BIKE SYSTEM

ROLLER KIT SERIES

BMX SERIES

CHAINRING PARTS

CHAIN GUIDE SYSTEM

BRAKE SYSTEM

SEATPOST

STEM SYSTEM

HANDLEBAR

AEROBAR SYSTEM

COMPUTER MOUNT

WATER BOTTLE & CAGE

ACCESSORIES

FITTING EQUIPMENT

INLINE SKATES

LAI-J FOLDING CHAIR



Customized colors available.

NEW / PROMOTION
SPAX-M16-12X-C2

9-02

MATERIAL: AL6066-T6
SPEC: Refer to the specification table.
OPTION: Thread M12 x 1.0 / M14 x 1.5 / M15 x 1.5
Custom length thread design available



SPAX-121-C2 / SPAX-66-C2

9-03

MATERIAL: AL7075-T6 / AL6066-T6
SPEC: Refer to the specification table.
OPTION: Thread M12 x 1.0 / M14 x 1.5 / M15 x 1.5
Custom length thread design available
12mm / 15mm axle custom design available



P.A.T. ED

PROMOTION
SPAX-TL-12X

9-04

Integrated 6mm allen key system with 12mm / 15mm hollow axle, with cover to keep tool in position.

MATERIAL: AL6066-T6 axle
SPEC: Refer to the specification table.
OPTION: Thread M12 x 1.0 / M14 x 1.5 / M15 x 1.5
Custom length thread design available
12mm / 15mm axle custom design available



(OPTION: C2)

AXLE TYPE OPTION: C2 type
With light weight
CNC cut design



Custom length thread design available / Refer to the specification table

	Hub	Axle Length	Thread Pitch
MTB	135 SHIMANO*	168	M12 x 1.75 W/l nut
MTB	142 SHIMANO*	171	M12 x 1.5 W/l nut
MTB	148 SHIMANO*	177	M12 x 1.5 W/l nut
MTB	150 SHIMANO*	183	M12 x 1.75 W/l nut
ROAD	100 SHIMANO*	118	M12 x 1.5 W/O nut
ROAD	142 SHIMANO*	160	M12 x 1.5 W/O nut

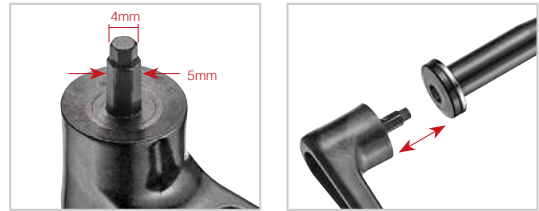
	Hub	Axle Length	Thread Pitch
MTB	135 SRAM*	167	M12 x 1.75 W/O nut
MTB	142 SRAM*	174	M12 x 1.75 W/O nut
MTB	148 SRAM*	180	M12 x 1.75 W/O nut
MTB	150 SRAM*	182	M12 x 1.75 W/O nut
ROAD	100 SRAM*	125	M15 x 1.5 W/O nut

**QR-TAK-12X/15X-C2**

10-01

Step-in System Lever removable.
With 4mm allen key for stem bolt / clamp bolt.

MATERIAL OF LEVER: Carbon Injection
MATERIAL OF AXLE: AL6066-T6
SPEC: Refer to the specification table.
OPTION: Thread M12 x 1.0 // M14 x 1.5 / M15 x 1.5
Custom length thread design available



P.A.T. ED

**PROMOTION****QR-MF18-12X (C2)**

10-02

Light weight design lever / lever can be adjusted from rotational position.

MATERIAL OF LEVER: Carbon Injection
MATERIAL OF AXLE: AL6066-T6
SPEC: Refer to the specification table.
OPTION: Thread M12 x 1.0 / M12 x 1.75 with nut C2 Axle
Custom length design available
12mm axle for front fork available

**QR-FLV-12X/15X (C2)**

10-03

Lever can be adjusted from rotational position.

MATERIAL: AL6066 axle AL6061 lever
SPEC: Refer to the specification table.
OPTION: Thread M12 x 1.0 / M12 x 1.75 With nut
C2 Axle type available
Custom length design available
12mm axle for front fork available



QR-SPAX-12X (C2)

11-01

For 135mm / 142mm / 148mm / 150mm hub.

MATERIAL: AL7075 axle / Alloy lever

SPEC: Refer to the specification table

OPTION: Thread M12 x 1.0 / M12 x 1.75 with nut

C2 Axle type available

Custom length design available

12mm axle for front fork available



QR-SPOL-12X (C2)

11-02

For 135mm / 142mm / 148mm / 150mm hub.

MATERIAL: AL7075 axle

Alloy and carbon bonded lever

SPEC: Refer to the specification table.

OPTION: Thread M12 x 1.0 / M12 x 1.75 with nut

C2 Axle type available

Custom length design available

12mm axle for front fork available



QR-MF5-12X/15X (C2)

11-03

Lever can be adjusted from rotational position.
Max force to 150kg.

MATERIAL: AL6066 axle / AL6061 lever

SPEC: Refer to the specification table.

OPTION: Thread M12 x 1.0 // M14 x 1.5 / M15 x 1.5

OPTION: Thread M12 x 1.0 / M12 x 1.75 with nut

C2 Axle type available

Custom length design available

12mm axle for front fork available



SPAX-TR-12X

11-04

Thru axles adapter for bike trainers Ø12mm hollow axle.

MATERIAL: AL6061-T6

Custom length thread design available



NEW

SPAX-12X-R2R

11-05

Protects the dropout from side impacts, strengthens interface between derailleur and frame, with custom length thru axle.

MATERIAL: AL6061-T6

COLOR: Sand blast black

SPEC: Custom length thread design available



QUICK
RELEASE

THRU AXLE

SEAT CLAMP

TOP CAP

HEADSETS
PARTS

CRANK SET

CHAINRING
SYSTEM

E-BIKE SYSTEM

ROLLER KIT
SERIES

BMX SERIES

CHAINRING
PARTS

CHAIN GUIDE
SYSTEM

BRAKE SYSTEM

SEATPOST

STEM SYSTEM

HANDLEBAR

AEROBAR
SYSTEM

COMPUTER
MOUNT

WATER BOTTLE &
CAGE

ACCESSORIES

FITTING
EQUIPMENT

INLINE SKATES

LAI-J
FOLDING CHAIR



NEW

BIKE-STAND

12-01

Quick and easy to assembly for bike display base.
23-125mm adjustment for full range tire widths and wheel sizes.

MATERIAL: AL6061-T6



Adapter for 9mm fork

Adapter for Ø12mm, width 100mm fork

Adapter for Ø15mm, width 100mm fork

Adapter for Ø15mm, width 110mm fork



BIKE HOLDER-18

12-02

Bike fork mount rack carrier.
For normal quick release.
Ø12mm width 100mm
Ø15mm width 100mm
Ø15mm width 110mm



M12x1.75

M12x1.5

M12x1.0



QR-SMW-EX

12-03

Chain washer for thru-axle Ø12mm frame.
With 3 size screw adapter easy to adjustment.

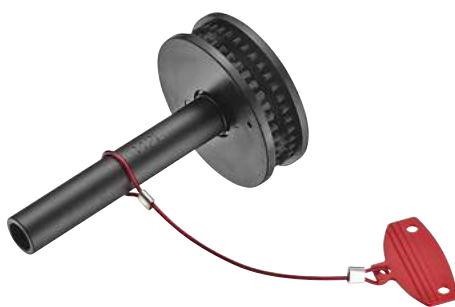
MATERIAL: AL6066-T6
Carbon composite / Plastic / AL7075
screw adapter
WEIGHT: 88g/set (With adapter)



QR-SMS

12-04

Chain hanger.
WEIGHT: 46g/set

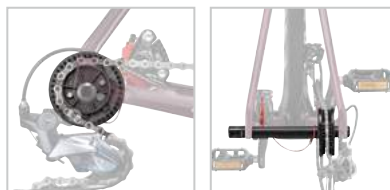


QR-SM-PLW

12-05

Chain washer for thru-axle Ø12mm frame.

MATERIAL: Plastic
WEIGHT: 92g/set (142mm)
SPEC: Width 142 / 148 / 150mm



QR-SM-DISC PAD

12-06

Disc pad.
For disc caliper.



Chain Washer

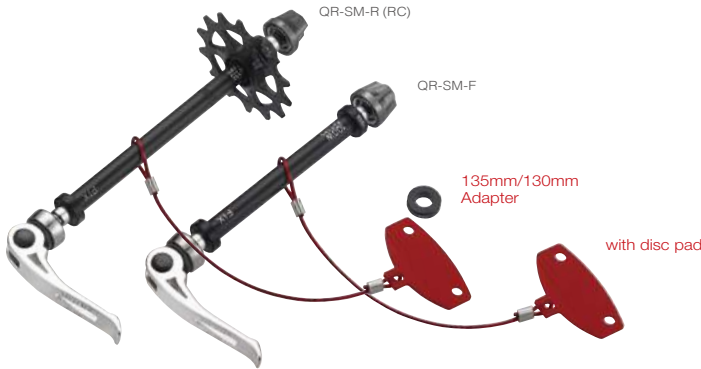
QR-SMW/R (RC)

13-01

Chain washer.
With 135mm / 130mm adapter.

QUICK RELEASE

THRU AXLE



QR-SM

13-02

QR-SM-F / 100 with disc pad
QR-SM-R / 135 with roller and disc pad
QR-SM-RC / 130 with roller and disc pad

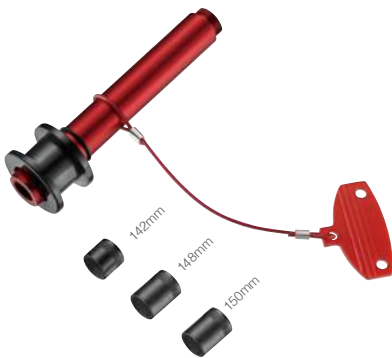
SEAT CLAMP

TOP CAP

HEADSETS PARTS

CRANK SET

CHAINRING SYSTEM



QR-SM-TAR

13-03

For rear \varnothing 12mm thru axle.
Include width adjuster: 142, 148, 150mm.

MATERIAL: AL6061-T6
WEIGHT: 91g/set (with adapter)

E-BIKE SYSTEM

ROLLER KIT SERIES

BMX SERIES

CHAINRING PARTS

CHAIN GUIDE SYSTEM



QR-SM-PLR-142E 148E / 150E

13-04

Handy chain tension device for travelling.
For rear \varnothing 12mm thru axle frame.

MATERIAL: Plastic
SPEC : Width 142 / 148 / 150mm
WEIGHT: 46g/pcs (142E)

BRAKE SYSTEM

SEATPOST

STEM SYSTEM

HANDLEBAR

AEROBAR SYSTEM



QR-SM-TAF012 / TAF015 AF0151 / TAF020

13-05

For fork \varnothing 12 x 100 thru axle
 \varnothing 15 x 100 thru axle
 \varnothing 15 x 110 thru axle
 \varnothing 20 x 110 thru axle

MATERIAL: AL6061-T6
WEIGHT: 33g/pcs (TAF015)
44g/pcs (TAF020)

COMPUTER MOUNT

WATER BOTTLE & CAGE

ACCESSORIES

FITTING EQUIPMENT

INLINE SKATES

LAI-J FOLDING CHAIR

SEAT CLAMP





P.A.T.ED WORLD WIDE

OVER SIZE

CL-CV

15-01

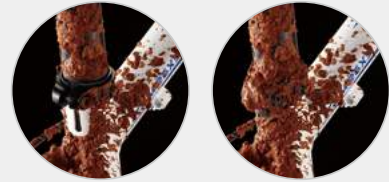
Extend rubber cover, to prevent dust permeate in to seattube.
Chamfer edge & oval hole design to protect carbon frame & seatpost.

MATERIAL: AL6061-T6 clamp with NBR cover

SPEC: Ø27.2 seatpost - Ø31.8 seattube / Ø31.6 seatpost - Ø34.9 seattube
Ø27.2 seatpost - Ø34.9 seattube / Ø30.9 seatpost - Ø34.9 seattube
Ø33.9 seatpost - Ø38.1 seattube / Ø34.9 seatpost - Ø38.6 seattube
H: 16mm (12mm insert)

COLOR: Clamp: Black anodize

Cover: Black, Red, Blue, Apple Green, Orange, Pink, White, Yellow



QUICK RELEASE

THRU AXLE

SEAT CLAMP

OVER SIZE

CL-FJ21

15-02



MATERIAL: AL6066 CNC made

SPEC: Ø28.6, Ø31.8, Ø34.9, Ø38.6

H: 14mm

COLOR: As Order

STANDARD: Blast anodize

OPTION: H 16.5mm

Oval hole design for carbon fiber

OVER SIZE

CL-FJ21-2

15-03



MATERIAL: AL6066 CNC made

SPEC: Ø28.6, Ø31.8, Ø34.9, Ø38.6

H: 14mm

COLOR: As Order

STANDARD: Blast anodize

OPTION: H 16.5mm

Oval hole design for carbon fiber

OVER SIZE

CL-FJ21-1

15-04



MATERIAL: AL6066 CNC made

SPEC: Ø28.6, Ø31.8, Ø34.9, Ø38.6

H: 14mm

COLOR: As Order

STANDARD: Blast anodize

OPTION: H 16.5mm

Oval hole design for carbon fiber

CL-07-2X

15-05



MATERIAL: AL6061 CNC made

Two M5 x 20mm bolt

SPEC: Ø28.6, Ø31.8, Ø34.9, Ø38.1, Ø38.6

H: 20mm

COLOR: As Order

Special chamfer for carbon frame

CL-07GB-CO

15-06



Seat clamp with cover.

MATERIAL: AL6061 CNC made

SPEC: Ø27.2 seatpost - Ø31.8 seattube

Ø31.6 seatpost - Ø34.9 seattube

H: 17.5mm (13mm insert)

COLOR: As Order / Black cover

Oval hole design for carbon fiber

CL-07FB2-CO (-CI)

15-07



Seat clamp with cover.

MATERIAL: AL6061 CNC made

SPEC: Ø27.2 seatpost - Ø31.8 seattube

Ø31.6 seatpost - Ø34.9 seattube

H: 18.5mm (14mm insert)

COLOR: As Order / Black cover

OPTION: CL-07FB2-CO (-CI)

(Carbon shim inside)

Oval hole design for carbon fiber

Special chamfer for carbon frame

CL-07JB1-CO

15-08



Seat clamp with cover.

MATERIAL: AL6061 CNC made

SPEC: Ø27.2 seatpost - Ø31.8 seattube

Ø31.6 seatpost - Ø34.9 seattube

H: 17mm (13mm insert)

COLOR: As Order / Black cover

Oval hole design for carbon fiber

Special chamfer for carbon frame

CL-07-CI

15-09



MATERIAL: AL6061 CNC made

SPEC: Ø31.8, Ø34.9

H: 15mm

COLOR: As Order

Carbon shim inside

TOP CAP

HEADSETS PARTS

CRANK SET

CHAINRING SYSTEM

E-BIKE SYSTEM

ROLLER KIT SERIES

BMX SERIES

CHAINRING PARTS

CHAIN GUIDE SYSTEM

BRAKE SYSTEM

SEATPOST

STEM SYSTEM

HANDLEBAR

AEROBAR SYSTEM

COMPUTER MOUNT

WATER BOTTLE & CAGE

ACCESSORIES

FITTING EQUIPMENT

INLINE SKATES

LAI-J FOLDING CHAIR



Adjustable

OVER SIZE CL-07GE

16-01

With adjustable seatpost cable guide.

MATERIAL: AL6061 CNC made
SPEC: Ø31.8, Ø34.9, Ø38.1, Ø38.6
H: 15.5mm
COLOR: As Order



Oval hole design for carbon fiber

Special Chamfer for Carbon frame



Adjustable

OVER SIZE CL-07GE-CI

16-02

With adjustable seatpost cable guide.
Carbon shim inside.

MATERIAL: AL6061 CNC made
SPEC: Ø31.8, Ø34.9, Ø38.1, Ø38.6
H: 15.5mm
COLOR: As Order



PROMOTION / OVER SIZE CL-07-P / CL-07-P-2

16-03

MATERIAL: AL6061 CNC made
SPEC: Ø25.4, Ø28.6, Ø31.8, Ø34.9, Ø38.1, Ø38.6

H: 15mm
COLOR: As Order
WEIGHT: 22.5g
OPTION: Oval hole for carbon
CL-07-P-2: Two tone
 Special chamfer for carbon frame



PROMOTION / OVER SIZE CL-07

16-04

MATERIAL: AL6061 CNC made
SPEC: Ø25.4, Ø28.6, Ø31.8, Ø34.9, Ø38.1, Ø38.6
H: 15mm
COLOR: As Order
WEIGHT: 22.5g



CL-AD

16-05

MATERIAL: AL6061 CNC made
SPEC: Ø31.8, Ø34.9
 Double bolts
H: 24mm
COLOR: As Order
 Oval hole design for carbon fiber



CL-AD-A1

16-06

MATERIAL: AL6061 CNC made
SPEC: Ø28.6, Ø31.8, Ø34.9
H: 15mm
COLOR: As Order
STANDARD: Blast anodize



OVER SIZE CL-H2C

16-07

MATERIAL: AL6066 CNC made
SPEC: Ø31.8, Ø34.9, Ø36, Ø37, Ø38.1
H: 14mm
COLOR: As Order
STANDARD: Blast anodize
OPTION: Ø28.6, Ø29.8, Ø30.0, Ø40.0 (price different)
 Oval hole design for carbon fiber



CL-55GB

16-08

MATERIAL: AL6061
SPEC: Ø31.8, Ø34.9
H: 10.5mm
COLOR: As Order
STANDARD: Blast anodize



OVER SIZE CL-H2C-2

16-09

MATERIAL: AL6066 CNC made
SPEC: Ø31.8, Ø34.9, Ø36, Ø37, Ø38.1
H: 14mm
COLOR: As Order
STANDARD: Blast anodize
OPTION: Ø28.6, Ø29.8, Ø30.0, Ø40.0 (price different)
 Oval hole design for carbon fiber

**CL-02K**

17-01

MATERIAL: AL6061
SPEC: Ø25.4, Ø28.6, Ø31.8, Ø34.9
H: 11mm
COLOR: As Order



Ø25.4 model

**CL-02P / CL-02P-2**

17-02

MATERIAL: AL6061
SPEC: Ø25.4, Ø28.6, Ø31.8, Ø34.9
H: 11mm
COLOR: As Order
CL-02P-2: Two tone

**OVER SIZE**
CL-03GB

17-03

MATERIAL: AL6061
SPEC: Ø25.4, Ø28.6, Ø31.8, Ø34.9,
 Ø37, Ø38.1
H: 15mm
COLOR: As Order

**CL-02GB**

17-04

MATERIAL: AL6061
SPEC: Ø25.4, Ø28.6, Ø31.8, Ø34.9
H: 11mm
COLOR: As Order

**CL-02JB**

17-05

MATERIAL: AL6061
SPEC: Ø25.4, Ø28.6, Ø31.8, Ø34.9
H: 11mm
COLOR: As Order

**CL-05-15D**

17-06

MATERIAL: AL6061 CNC made
SPEC: Dia As Order
H: 15mm
COLOR: As Order
OPTION: Oval hole for carbon
 Special chamfer for carbon frame

**CL-033K**

17-07

MATERIAL: AL6061
SPEC: Ø25.4, Ø28.6, Ø31.8, Ø34.9
H: 15mm
COLOR: Blast anodize

**CL-J5B**

17-08

MATERIAL: AL6061
SPEC: Ø25.4, Ø28.6, Ø31.8, Ø34.9
H: 13.5mm
COLOR: As Order

**CL-94B**

17-09

MATERIAL: AL6061
SPEC: Ø25.4, Ø28.6, Ø31.8, Ø34.9
H: 11mm
COLOR: As Order

**CL-STEM**

17-10

MATERIAL: AL6061
SPEC: Ø28.6
H: 10mm
COLOR: Blast black anodize

QUICK
RELEASE

THRU AXLE

SEAT CLAMP

TOP CAP

HEADSETS
PARTS

CRANK SET

CHAINRING
SYSTEM

E-BIKE SYSTEM

ROLLER KIT
SERIES

BMX SERIES

CHAINRING
PARTSCHAIN GUIDE
SYSTEM

BRAKE SYSTEM

SEATPOST

STEM SYSTEM

HANDLEBAR

AEROBAR
SYSTEMCOMPUTER
MOUNTWATER BOTTLE &
CAGE

ACCESSORIES

FITTING
EQUIPMENT

INLINE SKATES

LAI-J
FOLDING CHAIR



Ø34.9 model

CL-FDG3

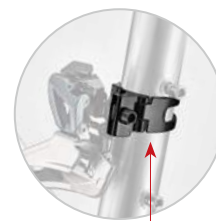
18-01

For front derailleur, brazed on style clamp.
Additional stopper for front derailleur screw.

MATERIAL: AL6061
SPEC: Ø28.6, Ø31.8, Ø34.9mm
COLOR: As Order



Additional stopper



Big shape for frame Ø34.9



CL-EFD-33

18-02

For E-Bike front derailleur.
Brazed on style clamp.
Additional stopper for front derailleur screw.

MATERIAL: AL6061
SPEC: Ø31.8, Ø34.9mm
COLOR: As Order
WEIGHT: 30g



CL-FDG2-9

18-03

For front derailleur.

MATERIAL: AL6061
SPEC: Ø31.8, Ø34.9
9°+ 20mm offset
COLOR: As Order



CL-FD

18-04

For front derailleur.

MATERIAL: AL6061
SPEC: Ø28.6, Ø31.8, Ø34.9
COLOR: As Order



CL-FDM

18-05

Cold forged, for front derailleur.

MATERIAL: AL6061
SPEC: Ø31.8, Ø34.9
COLOR: As Order



CL-CX

18-06

Canti brake cable hanger.

MATERIAL: AL6061
SPEC: Ø31.8, Ø34.9
H: 16mm
COLOR: As Order
STANDARD: Blast anodize



CL-50

18-07

Replaceable for SHIMANO®.
E-type front derailleur's seattube eyelet.

MATERIAL: AL6061
SPEC: Ø28.6, Ø31.8, Ø34.9
H: 10mm
COLOR: As Order



M5 Thread for carrier

CL-FR

18-08

MATERIAL: AL6061
SPEC: Ø28.6, Ø29.8, Ø31.8, Ø34.9
H: 13.5mm
COLOR: As Order
STANDARD: Blast anodize



CL-5085V

18-09

For converting frames with top mounted cable to traditional bottom pull front derailleurs.

MATERIAL: AL6061
SPEC: Ø28.6, Ø31.8, Ø34.9
H: 10mm
COLOR: As Order



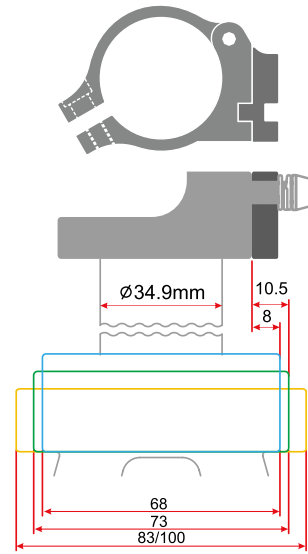
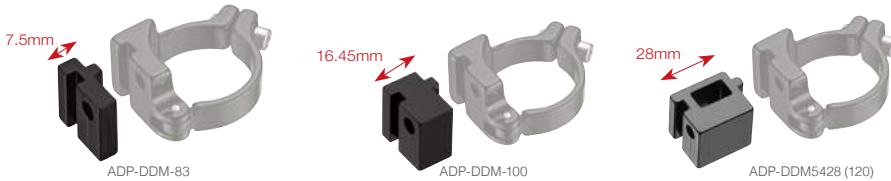
ADP-DDM-83 / ADP-DDM-100 ADP-DDM-5428 (120)

19-01

For SHIMANO® direct mount (D Type) & SRAM® X0/X9/X7 to assemble on BB83 and BB100.

EXTEND: ADP-DDM-83 (with M6x23 bolt for BB 83)
ADP-DDM-100 (with M6x30 bolt for BB 100)
ADP-DDM-5428 (with M6x40 bolt for BB 120)

MATERIAL: AL6061-T6



QUICK
RELEASE

THRU AXLE

SEAT CLAMP

TOP CAP

HEADSETS
PARTS

CRANK SET

CHAINRING
SYSTEM

E-BIKE SYSTEM

ROLLER KIT
SERIES

BMX SERIES

CHAINRING
PARTS

CHAIN GUIDE
SYSTEM

BRAKE SYSTEM

SEATPOST

STEM SYSTEM

HANDLEBAR

AEROBAR
SYSTEM

COMPUTER
MOUNT

WATER BOTTLE &
CAGE

ACCESSORIES

FITTING
EQUIPMENT

INLINE SKATES

LAI-J
FOLDING CHAIR

CL-DDM273

19-02



For SHIMANO® direct mount (D Type) 148mm system. With SUS screw (M6x18mm) without washer.

MATERIAL: AL6061-T6
SPEC: Ø34.9
COLOR: As Order
OPTION:
1. SHIM-DDM-28.6 (Ø34.9 x Ø28.6)
2. SHIM-DDM-31.8 (Ø34.9 x Ø31.8)
3. CP-DDMA1 (cover)
4. CP-DDMP1 (cover)



CL-DDM

19-03

For SHIMANO® direct mount (D Type) & SRAM® X0/X9/X7.

MATERIAL: AL6061-T6
SPEC: Ø34.9
COLOR: As Order
OPTION:
1. SHIM-DDM-28.6 (Ø34.9 x Ø28.6)
2. SHIM-DDM-31.8 (Ø34.9 x Ø31.8)
3. ADP-DDM-83
4. ADP-DDM-100
5. ADP-DDM-5428
6. CP-DDMA1 (cover)
7. CP-DDMP1 (cover)

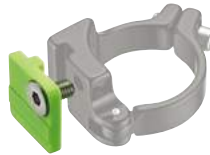
CP-DDMA1

19-04



Direct mount (D Type) front derailleur cap with AL7075 M6 bolt.

MATERIAL: AL6061-T6
COLOR: As Order



CP-DDMP1

19-05

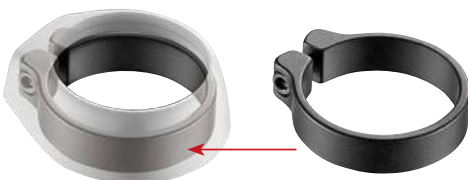
Direct mount (D Type) front derailleur cap with stainless steel M6 bolt.

MATERIAL: Nylon
COLOR: As Order



CL-STOPPER-CO / CL-STOPPER

19-06



To prevent the drop caused by the tolerance between seatpost & clamp & seattube. Also can be height marker with rubber cover to prevent dust can fix any type of clamp.

MATERIAL: AL6061-T6 clamp / Rubber cover
SPEC: Ø27.2, Ø30.9, Ø31.6
COLOR: Clamp: Blast black anodize
Cover: Black, Red, Blue, Apple Green, Orange, Pink, White, Yellow

**CL-A1K**

20-01

MATERIAL: AL6061
SPEC: Ø31.8, Ø34.9
H: 14mm
COLOR: As Order

**CL-51**

20-02

Clamp with cable stop.

MATERIAL: AL6061
SPEC: Ø31.8, Ø34.9
H: 12mm
COLOR: As Order

**CL-A1**

20-03

MATERIAL: AL6061
SPEC: Ø28.6, Ø31.8, Ø34.9
H: 14mm
COLOR: As Order

**CL-95SUB-A14**

20-04

MATERIAL: AL6061 CNC made
SPEC: Ø31.8, Ø34.9
H: 16mm
COLOR: As Order

**OVER SIZE**
CL-030

20-05

MATERIAL: AL6061
SPEC: Ø25.4, Ø28.6, Ø31.8, Ø34.9,
Ø37, Ø38.1
H: 13.5mm
COLOR: As Order

**OVER SIZE**
CL-95B

20-06

MATERIAL: AL6061
SPEC: Ø25.4, Ø28.6, Ø31.8, Ø34.9,
Ø37, Ø38.1, Ø38.6
H: 13.5mm
COLOR: As Order

**OVER SIZE**
CL-951B

20-07

MATERIAL: AL6061
SPEC: Ø25.4, Ø28.6, Ø31.8, Ø34.9,
Ø37, Ø38.1, Ø38.6
H: 13.5mm
COLOR: As Order

**OVER SIZE**
CL-96B

20-08

MATERIAL: AL6061
SPEC: Ø28.6, Ø31.8, Ø34.9,
Ø37, Ø38.1
H: 13.5mm
COLOR: As Order

**OVER SIZE**
CL-97B

20-09

MATERIAL: AL6061
SPEC: Ø28.6, Ø31.8, Ø34.9,
Ø37, Ø38.1
H: 13.5mm
COLOR: As Order

**CL-97GB**

20-10

MATERIAL: AL6061
SPEC: Ø28.6, Ø31.8, Ø34.9
H: 15mm
COLOR: As Order

**OVER SIZE**
CL-93B-O

20-11

For BMX or Fixed gear.

MATERIAL: AL6061
SPEC: Ø25.4, Ø28.6, Ø31.8, Ø34.9,
Ø37, Ø38.1
H: 35mm
COLOR: As Order
Internal holes throughout

**OVER SIZE**
CL-93JB

20-12

MATERIAL: AL6061
SPEC: Ø25.4, Ø28.6, Ø31.8, Ø34.9,
Ø37, Ø38.1
H: 35mm
COLOR: As Order



OVER SIZE
CL-93JB-O

21-01

MATERIAL: AL6061
SPEC: Ø25.4, Ø28.6, Ø31.8, Ø34.9,
Ø37, Ø38.1
H: 35mm
COLOR: As Order
Internal holes throughout



OVER SIZE
CL-93B

21-02

MATERIAL: AL6061
SPEC: Ø25.4, Ø28.6, Ø31.8, Ø34.9,
Ø37, Ø38.1
H: 35mm
COLOR: As Order

QUICK
RELEASE

THRU AXLE

SEAT CLAMP

TOP CAP

HEADSETS
PARTS

CRANK SET

CHAINRING
SYSTEM

E-BIKE SYSTEM

ROLLER KIT
SERIES

BMX SERIES

CHAINRING
PARTS

CHAIN GUIDE
SYSTEM

BRAKE SYSTEM

SEATPOST

STEM SYSTEM

HANDLEBAR

AEROBAR
SYSTEM

COMPUTER
MOUNT

WATER BOTTLE &
CAGE

ACCESSORIES

FITTING
EQUIPMENT

INLINE SKATES

LAI-J
FOLDING CHAIR



CL-93JB-2-70L-O

21-03

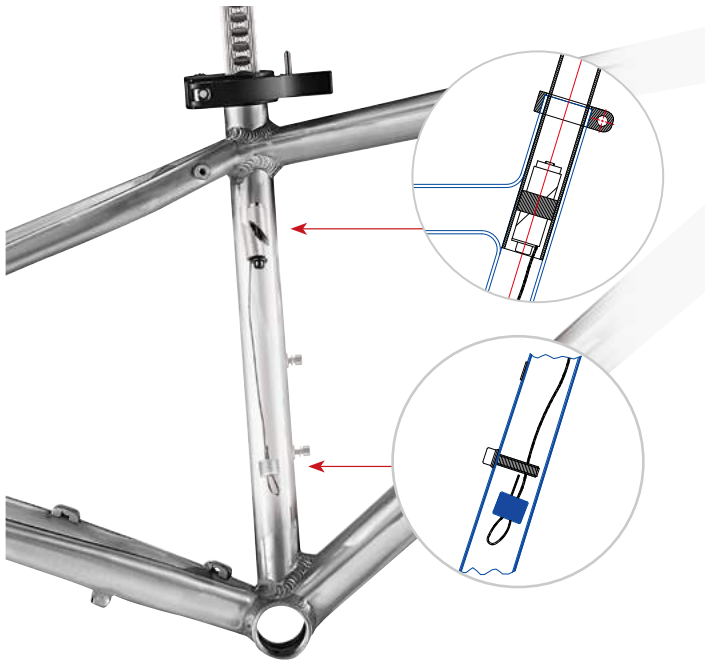
For BMX or Fixed gear.
MATERIAL: AL6061
SPEC: Ø33.3, Ø34.9
H: 70mm
COLOR: As Order
Internal holes throughout



CL-73B

21-04

MATERIAL: AL6061
SPEC: Ø25.4, Ø28.6
H: 35mm
COLOR: As Order



S/SAFE

21-05

Comes with one long bottle cage screw and two seatpost adapters.

MATERIAL: AL6061-T6

The easy-to-use S/SAFE pin secures your seatpost from stolen.

Install the S/SAFE pin inside the seatpost. Then, screw tight the provided bottle cage screw. The long screw thus jams the passage of the S/SAFE pin, preventing the seatpost from pulled up.



Adapter



CL-KE06E-CV

21-06

Seat clamp with anti-dust cover.
MATERIAL: AL6061
SPEC: Ø27.2 seatpost - Ø31.8 seattube
Ø31.6 seatpost - Ø34.9 seattube
H: 20mm (15mm insert)
COLOR: As Order / Black cover
P.A.T ED



NEW / OVER SIZE
CL-BCV-45

21-07

QR-type for over size seat clamp with dust and water-proof cover.
MATERIAL: AL 6061-T6
SPEC: Ø34.9m/m seat post - Ø45m/m seat tube



CL-98XL

22-01

MATERIAL: AL6061
SPEC: Ø28.6, Ø31.8mm
H: 13.5mm
COLOR: As Order



OVER SIZE

CL-UBE76-S

22-02

New structure design clamp for rental bike, lever prevents rotation design.

MATERIAL: AL6061
SPEC: Ø31.8, Ø34.9, Ø38.1, Ø38.6, Ø40
Custom design available



CL-E21-QT

22-03

MATERIAL: AL6061
SPEC: Ø28.6, Ø31.8
H: 13.5mm
COLOR: As Order
P.A.T ED



CL-KM2

22-04

Cold forged.

SPEC: Ø25.4, Ø28.6, Ø31.8, Ø34.9
H: 13.5 mm
COLOR: As Order
STANDARD: Blast anodize



CL-KM2-S

22-05

With special bolt and nut to lock.

MATERIAL: AL6061
SPEC: Ø28.6, Ø31.8, Ø34.9
H: 13.5mm
COLOR: As Order
STANDARD: Blast anodize
P.A.T ED



PROMOTION

CL-KE06E-QT

22-06

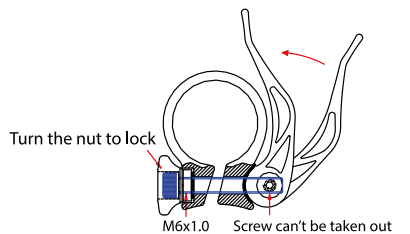
MATERIAL: AL6061
SPEC: Ø28.6, Ø31.8, Ø34.9
H: 13.5mm
COLOR: As Order



CL-KE06H-QT

22-07

MATERIAL: AL6061
SPEC: Ø28.6, Ø31.8, Ø34.9
H: 13.5mm
COLOR: As Order



CL-KM2-IT-S

22-09

With special bolt and nut to lock.

MATERIAL: AL6061
SPEC: Ø28.6, Ø31.8, Ø34.9
H: 16mm
COLOR: As Order
STANDARD: Blast anodize
P.A.T ED



CL-KM2-IT

22-08

MATERIAL: AL6061
SPEC: Ø28.6, Ø31.8, Ø34.9
H: 16mm
COLOR: As Order
STANDARD: Blast anodize





OVER SIZE
CL-9872H-QT

23-01

MATERIAL: AL6061
With longer lever (72mm)
SPEC: Ø28.6, Ø31.8, Ø34.9, Ø38.6
H: 13mm
COLOR: As Order



PROMOTION / OVER SIZE
CL-9872E-QT

23-02

MATERIAL: AL6061
With longer lever (72mm)
SPEC: Ø28.6, Ø31.8, Ø34.9, Ø38.6, Ø40
H: 13mm
COLOR: As Order



Our quick release levers come with various lengths. Besides the regular length (65mm), we also provide the following length for your reference: 65mm, 72mm and 90mm.



QUICK RELEASE

THRU AXLE

SEAT CLAMP

TOP CAP

HEADSETS PARTS

CRANK SET

CHAINRING SYSTEM

E-BIKE SYSTEM

ROLLER KIT SERIES

BMX SERIES

CHAINRING PARTS

CHAIN GUIDE SYSTEM

BRAKE SYSTEM

SEATPOST

STEM SYSTEM

HANDLEBAR

AEROBAR SYSTEM

COMPUTER MOUNT

WATER BOTTLE & CAGE

ACCESSORIES

FITTING EQUIPMENT

INLINE SKATES

LAI-J FOLDING CHAIR



OVER SIZE
CL-9872M-QT

23-03

MATERIAL: AL6061
With longer lever (72mm)
SPEC: Ø28.6, Ø31.8, Ø34.9, Ø38.6
H: 13mm
COLOR: As Order



CL-KM1

23-04

SPEC: Ø25.4, Ø28.6, Ø31.8, Ø34.9
H: 13.5 mm
COLOR: As Order
STANDARD: Blast anodize



CL-KM1-J

23-05

SPEC: Ø25.4, Ø28.6, Ø31.8, Ø34.9
H: 13.5 mm
COLOR: As Order
STANDARD: Blast anodize



CL-KM1-J2

23-06

SPEC: Ø25.4, Ø28.6, Ø31.8, Ø34.9
H: 13.5 mm
COLOR: As Order
STANDARD: Blast anodize



PROMOTION / OVER SIZE
CL-96QT

23-07

MATERIAL: AL6061
SPEC: Ø25.4, Ø28.6, Ø31.8, Ø34.9, Ø37.0, Ø38.1, Ø38.6, Ø40
H: 13mm
COLOR: As Order



PROMOTION
CL-98QT

23-08

MATERIAL: AL6061
SPEC: Ø25.4, Ø28.6, Ø31.8, Ø34.9
H: 13mm
COLOR: As Order





Screw weight information

M6x1.0x30L (5mm Allen key)	STEEL BOLT	STAINLESS BOLT	AL7075 BOLT
Weight	7.8g	7.8g	2.8g



NEW
TK-MG-CO

24-01

Top cap with full cover.

Material: AL6061-T6

COLOR: As order

WEIGHT: 9g

Custom logo design available



TK-001S-Y01



TK-001S-Y02



TK-001S-Y03

TK-001S-Y01
TK-001S-Y02
TK-001S-Y03

24-02

MATERIAL: AL6061-T6 CNC made

WEIGHT: 15g/pcs (W/O star nut)

SIZE: 1-1/8"

STANDARD: Blast anodize with star nut

OPTION: AL7075-T73 screw
Stainless screw



TK-001S-SPADE



TK-001S-HEART



TK-001S-DIAMOND



TK-001S-CLUB

TK-001S-SPADE
TK-001S-HEART
TK-001S-DIAMOND
TK-001S-CLUB

24-03

MATERIAL: AL6061-T6 CNC made

WEIGHT: 15g/pcs (W/O star nut)

SIZE: 1-1/8" with star nut

OPTION: AL7075-T73 screw
Stainless screw



PROMOTION
TK-001S
TK-001S-38.1

25-01

MATERIAL: AL6061-T6
WEIGHT: 17.5g/pcs (W/O star nut)
SIZE: 1", 1-1/8" or 1-1/2"
OPTION: 1. Stainless screw
2. Star nut



STAR NUT-29

25-02

For Ø31.8 Alloy / Cr-Mo fork.
SPEC: Ø28.8
WEIGHT: 10.5g/pcs



PROMOTION
TK-BEERA

25-03

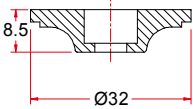
With TK-001S
MATERIAL: AL6061-T6 CNC finished
WEIGHT: 23g (W/O star nut)
SIZE: 1-1/8"



TK-TD01

25-04

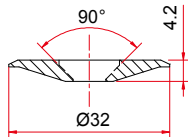
MATERIAL: AL6061-T6
WEIGHT: 13g/pcs (W/O star nut)
SIZE: 1-1/8"
COLOR: Sand blast anodize with star nut
OPTION: AL7075-T73 screw
Stainless screw



PROMOTION
TK-TD18

25-05

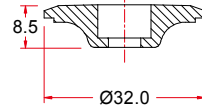
MATERIAL: AL6061-T6
WEIGHT: 13.3g/pcs (W/O star nut)
SIZE: 1-1/8"
COLOR: Sand blast anodize with star nut
OPTION: AL7075-T73 screw



TK-TD12-E

25-06

MATERIAL: AL6061-T6
WEIGHT: 16.5g/pcs (W/O star nut)
SIZE: 1-1/8"
COLOR: Sand blast anodize
Stainless screw
OPTION: AL7075-T73 screw



PROMOTION
TK-TD-C

25-07

MATERIAL: Carbon
WEIGHT: 11.5g/pcs (W/O star nut)
SIZE: 1-1/8"
With star nut



TK-001D

25-08

MATERIAL: AL6061-T6
WEIGHT: 14.5g/pcs (W/O star nut)
SIZE: 1", 1-1/8"
OPTION: 1. Stainless screw
2. Star nut



TK-SC-12AP

25-09

MATERIAL: AL6061-T6
cold forged made
WEIGHT: 9.8g/pcs (W/O star nut)
SIZE: 1-1/8"
With star nut



TK-RB03

25-10

MATERIAL: AL6061-T6
WEIGHT: 5.4g/pcs (W/O star nut)
SIZE: 1-1/8"
With AL7075-T651 screw (silver)



TK-T032A

25-11

For Ø31.8 Fork.
With stainless steel bolt.
MATERIAL: AL6061-T6
STANDARD: Blast anodize with star nut
WEIGHT: 11.2g/pcs (W/O star nut)



TK-M3

25-12

MATERIAL: AL6061-T6
WEIGHT: 32.5g/pcs (W/O star nut)
SIZE: 1", 1-1/8"
Stainless hollow M10 screw
With star nut



QUICK
RELEASE

SEAT CLAMP

HEADSETS
PARTS

TOP
CAP

HEADSETS
PARTS

CRANK SET

CHAINRING
SYSTEM

E-BIKE SYSTEM

ROLLER KIT
SERIES

BMX SERIES

CHAINRING
PARTS

CHAIN GUIDE
SYSTEM

BRAKE SYSTEM

SEATPOST

STEM SYSTEM

HANDLEBAR

AEROBAR
SYSTEM

COMPUTER
MOUNT

WATER BOTTLE &
CAGE

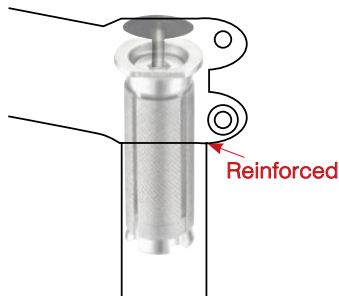
ACCESSORIES

FITTING
EQUIPMENT

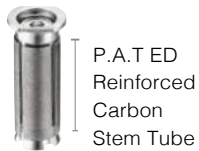
INLINE SKATES

LAI-J
FOLDING CHAIR

Reliable fork expander plugs make the fork design safer and better.



Suggestion With TK-001D



(Old No: TK012WS-CAL will update to this item)

TOP SALE

TK-012SW

26-01

For Ø28.6 Carbon fork, inner tube expander.

SPEC: Ø22.0 - Ø23.4 without shim
Ø23.4 - Ø25.0 with shim

H: 32mm, 50mm, 70mm

WEIGHT: 45g/set (50mm)



TK-032SW

26-02

For Ø31.8 Carbon fork, inner tube expander.
For OD2 carbon

SPEC: Ø27.5 - Ø27.7 with shim

H: 45mm

WEIGHT: 44g/set



TK-016SW

26-03

For Ø25.4 Carbon fork, inner tube expander.

SPEC: Ø19 - Ø21
Ø21 - Ø22 with T0.5 shim
Ø22 - Ø23 with T1.0 shim

H: 40mm

WEIGHT: 35g/set



EXT-2C

27-01

SPEC: Ø28.6 x Ø25.4
Ø25.4 x Ø22.2



TK-EXP-LI

27-02

Top cap with fork expander one piece design.

SPEC: Ø22 - Ø23
H: 45mm
WEIGHT: 18g/set

QUICK RELEASE

THRU AXLE

SEAT CLAMP

TOP CAP

HEADSETS PARTS

CRANK SET

CHAINRING SYSTEM

E-BIKE SYSTEM

ROLLER KIT SERIES

BMX SERIES

CHAINRING PARTS

CHAIN GUIDE SYSTEM

BRAKE SYSTEM

SEATPOST

STEM SYSTEM

HANDLEBAR

AEROBAR SYSTEM

COMPUTER MOUNT

WATER BOTTLE & CAGE

ACCESSORIES

FITTING EQUIPMENT

INLINE SKATES

LAI-J FOLDING CHAIR



ADP-STEM

27-03

Steering tube extend.
For Ø28.6 fork.

MATERIAL: AL6061-T6
LENGTH: 50mm, 90mm, 120mm
With top cap & long screw x2pcs for custom to assemble

Adjust the height (mm)

	MIN	MAX
50	47.5	65.5
90	47.5	105.5
120	47.5	135.5



Tool for star nut



TL-18

27-04

Star nut tooling.

SPEC: Ø25.4mm, Ø28.6mm



TOP SALE
LIGHT WEIGHT / PROMOTION
AE-28.6-H

28-01

Alloy spacer.

P.A.T ED

SPEC: AE-28.6-H (ID $\varnothing 28.8 \pm 0.2$ x OD $\varnothing 34$)

H: As Order

COLOR: As Order



TOP SALE / PROMOTION
AR-25.4-H / AR-28.6-H
AR-31.8-H / AR-38.1-H

28-02

Alloy spacer.

SPEC: AR-25.4-H (ID $\varnothing 25.6 \pm 0.2$ x OD $\varnothing 32$)

AR-28.6-H (ID $\varnothing 28.8 \pm 0.2$ x OD $\varnothing 32.5$,

$\varnothing 33$, $\varnothing 34$, $\varnothing 35$, $\varnothing 36$)

AR-31.8-H (ID $\varnothing 32.0 \pm 0.2$ x OD $\varnothing 38.8$)

AR-38.1-H (ID $\varnothing 38.3 \pm 0.2$ x OD $\varnothing 44$)

H: As Order

COLOR: As Order



ATR-28.6-5

28-03

Alloy taper spacer.

SPEC: ID $\varnothing 28.6$, OD-TOP $\varnothing 32.5$ mm

H: 5 / 10mm

COLOR: As Order

OPTION: OD-BOTTOM $\varnothing 34$ / $\varnothing 35$ / $\varnothing 36$ mm



TOP SALE
AC-25.4-H / AC-28.6-H
AC-31.8-H / AC-38.1-H

28-04

Carbon spacer.

SPEC: AC-25.4-H (ID $\varnothing 25.6 \pm 0.2$ x OD $\varnothing 31.5$)

AC-28.6-H (ID $\varnothing 28.8 \pm 0.2$ x OD $\varnothing 34$)

AC-31.8-H (ID $\varnothing 32.0 \pm 0.2$ x OD $\varnothing 38.8$)

AC-38.1-H (ID $\varnothing 38.3 \pm 0.2$ x OD $\varnothing 45.2$)

H: As Order

COLOR: 3K, UD



AC-28.6-H

28-05

Carbon spacer.

SPEC: AC-25.4-H (ID $\varnothing 25.6 \pm 0.2$ x OD $\varnothing 31.5$)

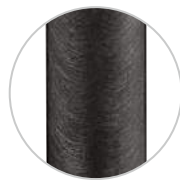
AC-28.6-H (ID $\varnothing 28.8 \pm 0.2$ x OD $\varnothing 34$)

AC-31.8-H (ID $\varnothing 32.0 \pm 0.2$ x OD $\varnothing 38.8$)

AC-38.1-H (ID $\varnothing 38.3 \pm 0.2$ x OD $\varnothing 45.2$)

H: As Order

COLOR: Golden, Blue, Red, Silver



UD Surface

LONG CARBON FIBER SPACER

28-06

Carbon Long fibers with nylon Injection material, can use and Create carbon high texture lightweight products. For more details please contact our engineers.

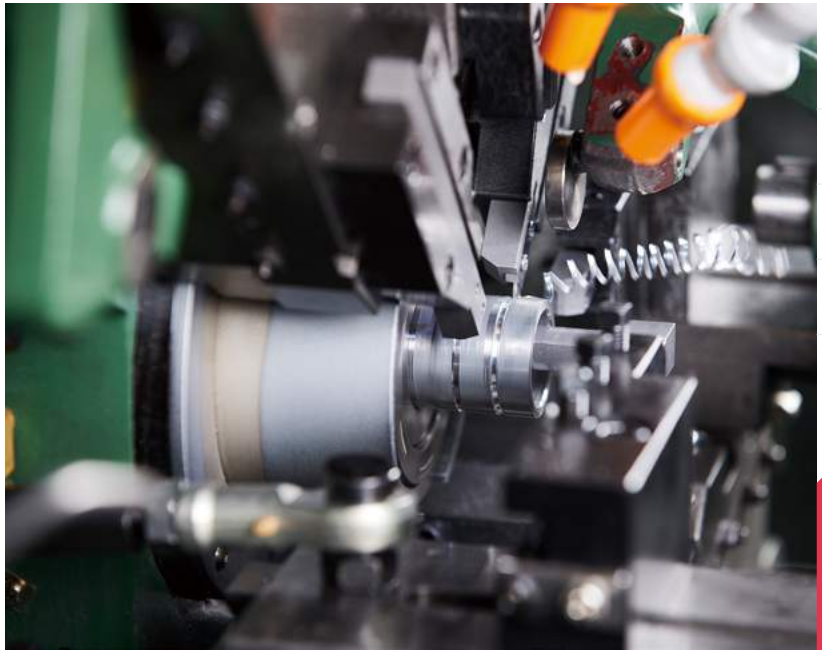
MATERIAL: Long carbon fiber-reinforced PA12 resin

COLOR: UD Surface, UD with painting

Custom design available



Automatic Cam Lathe For Spacer And Top Cap...



QUICK RELEASE

THRU AXLE

SEAT CLAMP

TOP CAP

HEADSETS PARTS

CRANK SET

CHAINRING SYSTEM

E-BIKE SYSTEM

ROLLER KIT SERIES

BMX SERIES

CHAINRING PARTS

CHAIN GUIDE SYSTEM

BRAKE SYSTEM

SEATPOST

STEM SYSTEM

HANDLEBAR

AEROBAR SYSTEM

COMPUTER MOUNT

WATER BOTTLE & CAGE

ACCESSORIES

FITTING EQUIPMENT

INLINE SKATES

LAI-J FOLDING CHAIR

TOP SALE

ACE-28.6-H
ACE-31.8-H

29-01



Carbon spacer.

P.A.T ED

SPEC: ACE-28.6-H (ID Ø28.8 x OD Ø34)
ACE-31.8-H (ID Ø32.0 x OD Ø38.8)

H: As Order

COLOR: 3K, UD



UD

3K

ARK-25.4-H
ARK-28.6-H

29-02



Alloy spacer.

SPEC: ARK-25.4-H (ID Ø25.4 x OD Ø32)
ARK-28.6-H (ID Ø28.6 x OD Ø35)

H: As Order

COLOR: As Order



ARP-28.6-H

29-03

Anti-solvent.

MATERIAL: Nylon

SPEC: Ø28.7 x Ø36

H: 5mm / 10mm

COLOR: White, Blue, Orange, Light Orange, Green, Light Green, Clear, Light Pink, Violet, Black

WEIGHT: 1.8g/pcs (5mm)
3.5g/pcs (10mm)

ARP-286-DI2-6 / ARP-286-DI2-17

29-04

For SHIMANO® DI2 junction.

P.A.T ED

MATERIAL: Nylon & AL6061-T6

ANGLE: 6°, 17°

WEIGHT: 9g/pcs

Not include SHIMANO® DI2 junction



ARP-286-DI2-6 PLUS / ARP-286-DI2-17 PLUS

29-05

For SHIMANO® DI2 junction.

P.A.T ED

MATERIAL: Nylon & AL6061-T6

ANGLE: 6°, 17°

WEIGHT: 8g/pcs

Not include SHIMANO® DI2 junction





CRANK SET SYSTEM



CK-GRA

31-01

SRM Spider PowerMeter with rechargeable system.

MATERIAL: SPINDLE: AL 2024
 CHAINRING: AL7075-T651
 CRANK: AL6066-T6 / Carbon fiber
CRANK LENGTH: AL6066-T6: 145, 147.5, 150, 152.5, 155, 157.5, 160, 162.5, 165, 167.5, 170, 172.5, 175mm
 Carbon fiber: 145, 150, 155, 160, 165, 167.5, 170, 172.5, 175mm
GEAR COMBINATION: 34/50T, 36/52T, 39/53T, 42/54T, 42/55T
COLOR: S.B Black



QUICK RELEASE

THRU AXLE

SEAT CLAMP

TOP CAP

HEADSETS PARTS

CRANK SET



ADP-FIT-CZ

31-02

Precision CNC machines fitting bike sizing cranks.

CRANK LENGTH: 145, 150, 155, 160, 165, 167.5, 170, 172.5, 175, 177.5, 180mm
AXLE: 24mm / 30mm
MATERIAL: CRANK: AL6061-T6
 AXLE: AL 2024
CHAINRING: Single 46T



CHAINRING SYSTEM

E-BIKE SYSTEM

ROLLER KIT SERIES

BMX SERIES

CHAINRING PARTS

CHAIN GUIDE SYSTEM

BRAKE SYSTEM

SEATPOST

STEM SYSTEM

HANDLEBAR

AEROBAR SYSTEM

COMPUTER MOUNT

WATER BOTTLE & CAGE

ACCESSORIES

FITTING EQUIPMENT

INLINE SKATES

LAI-J FOLDING CHAIR



CX-MUTI

31-03

Fix SHIMANO® crankset with special chainring bolt.

MATERIAL: AL7075-T651 full CNC made
P.C.D: Ø110mm
TEETH: 34T & 50T / 36T & 52T / 39T & 53T

Option



CX-MUTI-5800: For SHIMANO® FC-5800 crank / W/I T30 chainring bolt
CX-MUTI-6800: For SHIMANO® FC-6800 crank / W/I T30 chainring bolt
CX-MUTI-R7000: For SHIMANO® FC-R7000 crank / W/I T30 chainring bolt
CX-MUTI-R8000: For SHIMANO® FC-R8000 crank / W/I T30 chainring bolt
CX-MUTI-R9000: For SHIMANO® FC-R9000 crank / W/I T30 chainring bolt
CX-MUTI-R9100: For SHIMANO® FC-R9100 crank / W/I T30 chainring bolt

**TRSK**

32-01

For SHIMANO® cassette.

MATERIAL:

Cold forged Cr-Mo steel (ASM4140)
Heat treated (Harden+double temple)
N.E.N finish

TEETH: 12T - 20T**T:** 3/32" (1.8mm)**TRSK-F**

32-02

For SHIMANO® cassette.

MATERIAL:

Cold forged Cr-Mo steel (ASM4140)
Heat treated (Harden+double temple)
N.E.N finish

TEETH: 13T - 18T, 20T**H:** 7mm**T:** 3/32" (1.8mm)**TRST**

32-03

MATERIAL:

Cold forged Cr-Mo steel (ASM4140)
Heat treated (Harden+double temple)
N.E.N finish

TEETH: 13T - 23T (1.37 x 24T (R) lock ring)**H:** 7mm**T:** 3/32" (1.8mm), 1/8" (3mm)**OPTION:** Add 1.29 x 24T (L) lock ring,
Surface ED finished**TRSK-66**

32-04

For SHIMANO® cassette.

MATERIAL:

Cold forged Cr-Mo steel (ASM4140)
Heat treated (Harden + double temple)
N.E.N finish

TEETH: 16T - 23T**WEIGHT:** 56g/pcs (16T)**OPTION:** Black ED**TRSK-R6**

32-05

For disc hub 6 hole.

MATERIAL:

Cold forged Cr-Mo steel (ASM4140)
Heat treated (Harden + double temple)
N.E.N finish

TEETH: 16T - 23T**WEIGHT:** 29.5g/pcs (16T)**OPTION:** Black ED**TRSK-TY**

32-06

For SHIMANO® cassette.

MATERIAL:

Cold forged Cr-Mo steel (ASM4140)
Heat treated (Harden + double temple)
N.E.N finish

TEETH: 12T, 15T - 23T**WEIGHT:** 62.5g/pcs (18T)



QUICK RELEASE

THRU AXLE

SEAT CLAMP

TOP CAP

HEADSETS PARTS

CRANK SET

CHAINRING SYSTEM

E-BIKE SYSTEM

ROLLER KIT SERIES

BMX SERIES

CHAINRING PARTS

CHAIN GUIDE SYSTEM

BRAKE SYSTEM

SEATPOST

STEM SYSTEM

HANDLEBAR

AEROBAR SYSTEM

COMPUTER MOUNT

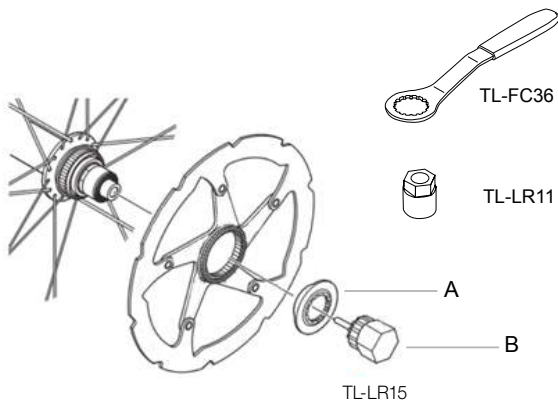
WATER BOTTLE & CAGE



ACCESSORIES

FITTING EQUIPMENT

INLINE SKATES

LAI-J FOLDING CHAIR



	Internally serrated type	Externally serrated type	Internally and externally serrated type
A. Disc brake rotor fixing lock ring From Mr.control	 M-SH44	 M-SH1521-CR	 M-SH3611
B. Lock ring tightening tool From SHIMANO®	TL-LR15 Adjustable wrench	TL-FC36	TL-FC36/TL-LR11 Adjustable wrench



M-SH1521-CR

33-01

For SHIMANO® center-lock. 15 / 20mm thru-axle disc system hub.

MATERIAL: Cr-Mo heat treated
SPEC: OD Ø44 x ID Ø27
COLOR: ED finished



M-SH3611

33-02

Lock ring for SHIMANO® center-lock. 15 / 20mm thru-axle disc system hub.

MATERIAL: AL6061
SPEC: OD Ø44 x ID Ø27
COLOR: As Order



M-SH44

33-03

For SHIMANO® center-lock disc system hub.

MATERIAL: AL6061
SPEC: OD Ø44
COLOR: As Order



LOCK RING

33-04

MATERIAL: Cr-Mo heat treated
SPEC: 1.29 x 24T (L)



M-HUB

33-05

Hub ring nut (free wheel).

MATERIAL: AL6061-T651
OPTION: 11T (OD: Ø35.5)
12T (OD: Ø38)



AR-HUB-2

33-06

For SHIMANO® hub. 11 speed change to 10 speed.

MATERIAL: AL6061
SPEC: OD Ø38.8
H: 2mm



AR-HUB

33-07

Spacer for cassette hub.

MATERIAL: AL6061
SPEC: OD Ø38.8
H: As Order



SSP-SET-T

33-08

A: TRSK (12T-18T) choose 1 pcs
B: AR-HUB 10mm x 2 pcs
5mm x 1 pcs
3mm x 4 pcs
C: M-HUB (12T) x 1



▲ 4-Axis Milling Machine



▼ 3+2-Axis Machine





QUICK RELEASE

THRU AXLE

SEAT CLAMP

TOP CAP

HEADSETS PARTS

CRANK SET

CHAINRING SYSTEM

E-BIKE SYSTEM

ROLLER KIT SERIES

BMX SERIES

CHAINRING PARTS

CHAIN GUIDE SYSTEM

BRAKE SYSTEM

SEATPOST

STEM SYSTEM

HANDLEBAR

AEROBAR SYSTEM

COMPUTER MOUNT

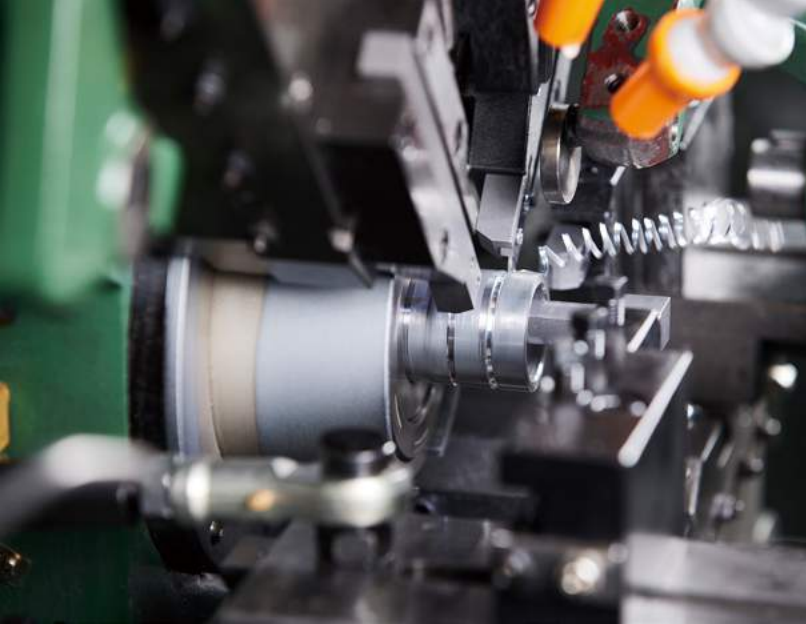
WATER BOTTLE & CAGE

ACCESSORIES

FITTING EQUIPMENT

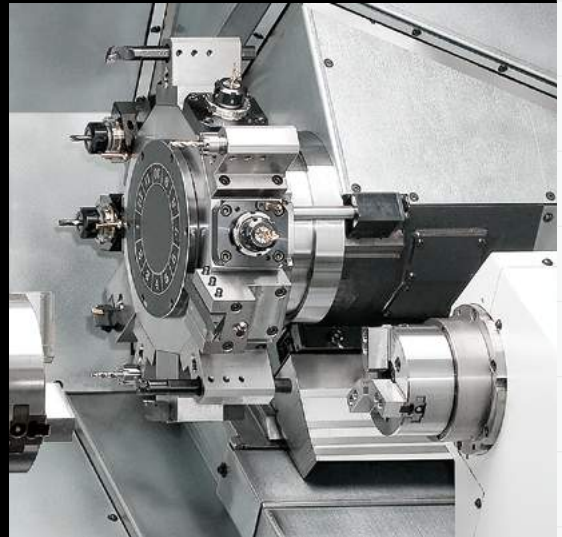
INLINE SKATES

LAI-J FOLDING CHAIR



▲ Automatic Cam Lathe For Spacer And Top Cap...

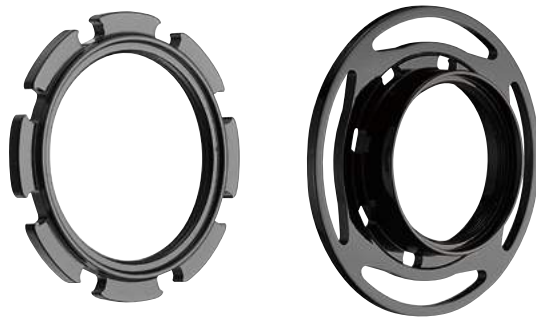
Mr. controlTM
Since 1991



▲ CNC Turning Lathe

▼ Swiss Lathe





M-LK-BSH
M-LK-BSH-OF3
M-LK-BSH-OF6

36-01

Lock ring with guard for E-Bike BOSCH® system.

MATERIAL: AL6061-T6

SPEC:

M-LK-BSH-OF3 = offset 3mm

M-LK-BSH-OF6 = offset 6mm

TEETH: 16T (14T - 16T) / 20T (17T - 20T)

COLOR: As Order



TRSK-BSH-NW
TRSK-BSH-NWOF3
TRSK-BSH-NWOF6

36-02

For BOSCH® system Narrow Wide chaining.

MATERIAL: Cr-Mo steel (ASM 4140) heat treated

SPEC:

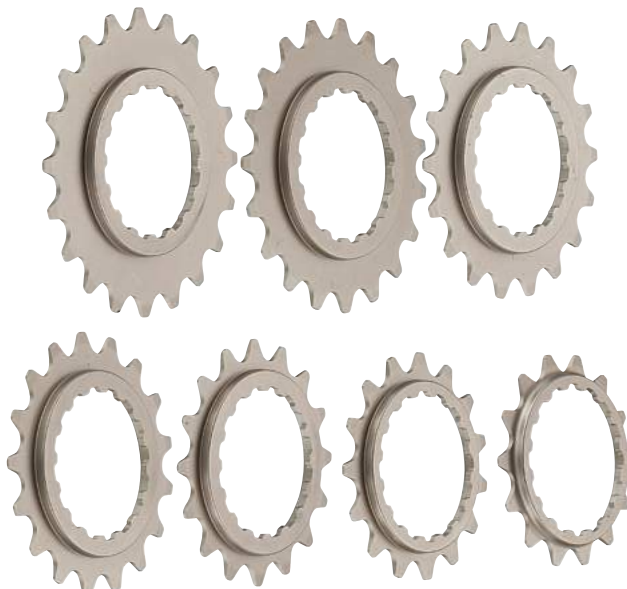
TRSK-BSH-NW = 0 offset

TRSK-BSH-NWOF3 = offset 3mm for OLD 142mm

TRSK-BSH-NWOF6 = offset 6mm for OLD 148mm

TEETH: 14T, 16T, 18T, 20T

OPTION: N.E.N finish or ED, BK



TRSK-BSH
TRSK-BSH-OF3
TRSK-BSH-OF6

36-03

For BOSCH® system chaining.

MATERIAL: Cr-Mo steel (ASM 4140) heat treated

SPEC:

TRSK-BSH = 0 offset

TRSK-BSH-OF3 = offset 3mm for OLD 142mm

TRSK-BSH-OF6 = offset 6mm for OLD 148mm

TEETH: 14T, 15T, 16T, 17T, 18T, 19T, 20T

OPTION: N.E.N finish or ED, BK

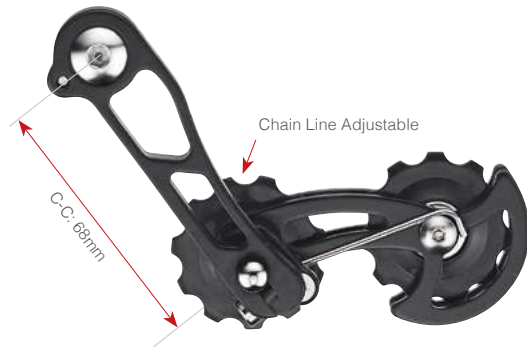


SSP-12US-1 (34)

37-01

Two pulley design.

MATERIAL: AL6061-T6
Outline spring design
T: 12T - 13T

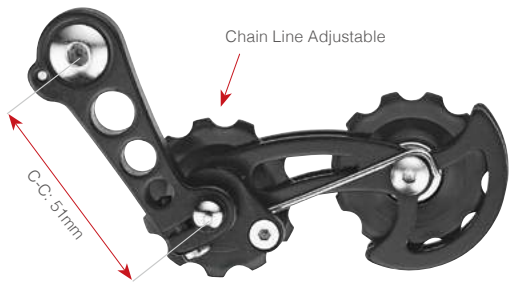


SSP-12US-1 (61)

37-02

Two pulley design.

MATERIAL: AL6061-T6
Outline spring design
T: 19T - 20T

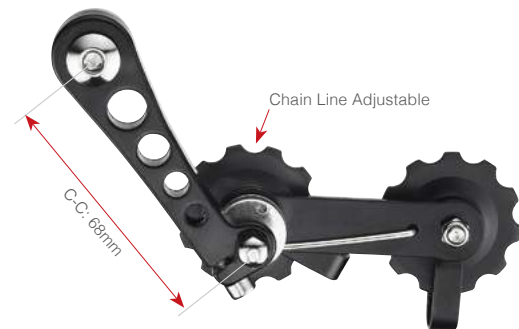


SSP-12US-1 (51)

37-03

Two pulley design.

MATERIAL: AL6061-T6
Outline spring design
T: 16T - 18T



SSP-12-1

37-04

MATERIAL: AL6061-T6
T: 16T - 20T



SSP-11-1

37-05

2007 Changed to outline spring.



SSP-11 / SSP-11-V1

37-06

Not available in USA.



SSP-FOOT-1

37-07

Bearing roller type.
For single speed.

MATERIAL: AL6061-T6 CNC made



QUICK RELEASE

THRU AXLE

SEAT CLAMP

TOP CAP

HEADSETS PARTS

CRANK SET

CHAINRING SYSTEM

E-BIKE SYSTEM

ROLLER KIT SERIES

BMX SERIES

CHAINRING PARTS

CHAIN GUIDE SYSTEM

BRAKE SYSTEM

SEATPOST

STEM SYSTEM

HANDLEBAR

AEROBAR SYSTEM

COMPUTER MOUNT

WATER BOTTLE & CAGE

ACCESSORIES

FITTING EQUIPMENT

INLINE SKATES

LAI-J FOLDING CHAIR

SHIMANO® Mr.Control	System	ULTEGRA						105	105
		NEW						New	
	Model	R8000	R8000	R8050 (DI2)	R6800		R6870 (DI2)	R7000	R5800
ITEM	RD-R8000-SS	RD-R8000-GS	RD-R8050	RD-R6800-SS	RD-R6800-GS	RD-R6870	RD-R7000	RD-R5800	
SSP-15	11T + 11T	-	-	-	MAX 36T	MAX 36T	-	-	-
SSP-152X	15T + 15T	-	-	-	MAX 36T	MAX 36T	-	-	-
SSP-CARBON	12T + 16T	-	-	-	MAX 36T	MAX 36T	-	-	-
SSP-105-152X	15T + 15T	-	-	-	-	-	-	-	MAX 28T
SSP-R8050-1216	12T + 16T	MAX 30T	MAX 34T	MAX 32T	-	-	-	-	-
SSP-R91-1216	12T + 16T	MAX 30T	MAX 34T	-	-	-	-	-	-
SSP-R91-CO-1216	12T + 16T	MAX 30T	MAX 34T	MAX 32T	-	-	-	-	-

SHIMANO® Mr.Control	System	DURA-ACE			
		NEW			
	Model	R9100	R9150 (DI2)	R9000	R9070 (DI2)
ITEM	RD-R9100-SS	RD-R9150-SS	RD-R9000	RD-R9070	
SSP-15	11T + 11T	-	-	MAX 32T	MAX 28T
SSP-152X	15T + 15T	-	-	MAX 28T	MAX 28T
SSP-CARBON	12T + 16T	-	-	MAX 32T	MAX 25T
SSP-105-152X	15T + 15T	-	-		
SSP-R8050-1216	12T + 16T	-	-		
SSP-R91-1216	12T + 16T	MAX 30T	MAX 30T		
SSP-R91-CO-1216	12T + 16T	MAX 30T	MAX 30T		

SRAM® Mr.Control	System	RED		FORCE	RIVAL
		RED® e-TAP	RED®	Force®	Rival®
	ITEM	RED® e-TAP	RED®	Force®	Rival®
SSP-SR152X	15T + 15T	-	MAX 28T	MAX 28T	MAX 28T
SSP-TAP152X	15T + 15T	MAX 28T	-	-	-



NEW

SSP-AX-ROLLER KIT

38-01

MATERIAL: AL6061-T6 Cage
AL7075-T651 Pulley
SPEC: SRAM® AXS derailleur system
COLOR: As Order
OPTION: Ceramics ball bearing



SSP-R91-CO ROLLER KIT 39-01

Oversize derailleur cage with 12T upper and 16T lower pulley. With carbon plate. Pulley are full CNC made from AL7075-T651 with Cr-Mo or steel bearing. Compatible with SHIMANO® RD 9150 / RD 8050 / RD 9100SS.

MATERIAL: Carbon Cage & AL7075-T651 Pulley
SPEC: Fit SHIMANO® RD 8050 / RD 9150 / RD 9100SS
COLOR: As Order
OPTION: Ceramics ball bearing
 Not available in Japan



SSP-R8050 ROLLER KIT 39-02

Oversize derailleur cage with 12T upper and 16T lower pulley. Pulley are full CNC made from AL7075-T651 with Cr-Mo or steel bearing. Compatible with SHIMANO® RD 8050 / RD 8000.

MATERIAL: AL6061-T6 Cage AL7075-T651 Pulley
SPEC: Fit SHIMANO® RD 8050 / RD 8000
COLOR: As Order
OPTION: Ceramics ball bearing
 Not available in Japan



SSP-R91-1216 ROLLER KIT 39-03

Oversize derailleur cage with 12T upper and 16T lower pulley. Pulley are full CNC made from AL7075-T651 With Cr-Mo or steel bearing. Compatible with SHIMANO® RD 9100SS.

MATERIAL: AL6061-T6 Cage AL7050-T651 Pulley
SPEC: Fit SHIMANO® RD 9100-SS Fit SHIMANO® RD 9150-SS
OPTION: Ceramics ball bearing
 Not available in Japan



SSP-CARBON ROLLER KIT 39-04

12T and 16T R.D over size pulley cage for reduced drivetrain friction with Cr-Mo steel bearing.

MATERIAL: Carbon Cage & AL7075-T651 Pulley
FOR: Fit SHIMANO® RD 9000 / 9070 / 6800 / 6870
COLOR: 3K carbon
WEIGHT: 60g/set
OPTION: Ceramics ball bearing
 Not available in Japan



SSP-SR152X ROLLER KIT 39-05

15T and 15T R.D over size pulley cage for reduced drivetrain friction with Cr-Mo steel bearing.

MATERIAL: AL6061-T6 Cage AL7075-T651 Pulley
FOR: Fit SRAM® RED / FORCE / RIVAL
COLOR: Black
WEIGHT: 93g/set
OPTION: Ceramics ball bearing
 Not available in Japan



SSP-105-152X ROLLER KIT 39-06

15T and 15T R.D over size pulley cage for reduced drivetrain friction with Cr-Mo steel bearing.

MATERIAL: AL6061-T6 Cage AL7075-T651 Pulley
FOR: Fit SHIMANO® 5800
COLOR: Black
WEIGHT: 88g/set
OPTION: Ceramics ball bearing
 Not available in Japan



SSP-15 ROLLER KIT 39-07

11T and 15T R.D over size pulley cage for reduced drivetrain friction with Cr-Mo steel bearing.

MATERIAL: AL6061-T6 Cage AL7075-T651 Pulley
FOR: Fit SHIMANO® 9000 / 9070 / 6800 / 6870
COLOR: Black
WEIGHT: 88g/set
OPTION: Ceramics ball bearing
 Not available in Japan



SSP-152X ROLLER KIT 39-08

15T and 15T R.D over size pulley cage for reduced drivetrain friction with Cr-Mo steel bearing.

MATERIAL: AL6061-T6 Cage AL7075-T651 Pulley
FOR: Fit SHIMANO® RD 9000 / 9070 / 6800 / 6870
COLOR: Black
WEIGHT: 84g/set
OPTION: Ceramics ball bearing
 Not available in Japan

QUICK RELEASE

THRU AXLE

SEAT CLAMP

TOP CAP

HEADSETS PARTS

CRANK SET

CHAINRING SYSTEM

E-BIKE SYSTEM

ROLLER KIT SERIES

BMX SERIES

CHAINRING PARTS

CHAIN GUIDE SYSTEM

BRAKE SYSTEM

SEATPOST

STEM SYSTEM

HANDLEBAR

AEROBAR SYSTEM

COMPUTER MOUNT

WATER BOTTLE & CAGE

ACCESSORIES

FITTING EQUIPMENT

INLINE SKATES

LAI-J FOLDING CHAIR



PEG-COMBO

40-01

**Cr-Mo peg with EMS (SWISS®) harden nylon sleeve.
For both park and street.**

MATERIAL: ASM 4130 heat treated Cr-Mo peg
With EMS (SWISS®) harden nylon sleeve
SPEC: Ø40 x (L)107mm for combo use
Ø33.6 x (L)104.5mm for only Cr-Mo-peg use
With 5 anti rotate pin position
COLOR: Cr-Mo peg cp / Red / Blue / Black
Nylon sleeve blue / Red / Black / White
WEIGHT: Combo 203g / Cr-Mo 165.5g
OPTION: Solid color or transparent color



PEG-GL

40-02

MATERIAL: EMS (SWISS®) super harden nylon
SPEC: Ø40 x (L)100mm
WEIGHT: 90g/pcs
COLOR: Blue, Yellow, White, Red, Violet,
Black, Green, Orange, Pink
OPTION: With Mr.control sticker



PEG-4130-F4-L

40-03

MATERIAL: ASM 4130 heat treated Cr-Mo With CNC finished
SPEC: Ø34 x (L)110mm with 3/8 adapter
With 4 anti rotate pin position
WEIGHT: 160g/pcs



PEG-4130-F4

40-04

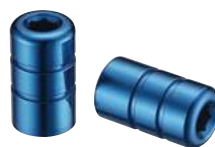
MATERIAL: ASM 4130 Cr-Mo cold forged heat treated CNC
finished
SPEC: Ø40 x (L)95mm
WEIGHT: 180g/pcs (With lock hold)



PEG-4130-F

40-05

MATERIAL: ASM 4130 Cr-Mo cold forged
SPEC: Ø35 x (L)80mm, Ø35 x (L)90mm
WEIGHT: 200g/pcs



PEG-MINI

40-06

For pegless hub protect axle.
MATERIAL: ASM4130 heat treated cold
forged CNC made
SPEC: 3/8 x 26T, M14 x 1.0
LENGTH: 35mm
WEIGHT: 65g/pcs



M-AI-3/8 / M-AI-14

40-07

MATERIAL: AL7075-T651 CNC made
SPEC: M14 x 1.0 & 3/8 x 26T
WEIGHT: 7g (14), 11g (3/8")
COLOR: As Order

**RH-SP28-S**

41-01

Alloy chain adjuster.

SPEC: Ø14 x14w, Ø10 x10w
S: [Single guide](#)
 Shorter for small dropout

**RH-SP25-S**

41-02

Alloy chain adjuster.

SPEC: Ø14 x14w, Ø10 x10w
S: [Single guide](#)
 Shorter for small dropout

**RH-MG**

41-03

Chain adjuster.

MATERIAL: AL6061-T6
OPTION: 10mm, 14mm

QUICK
RELEASE

THRU AXLE

SEAT CLAMP

TOP CAP

HEADSETS
PARTS

CRANK SET

CHAINRING
SYSTEM

E-BIKE SYSTEM

ROLLER KIT
SERIES

BMX SERIES

CHAINRING
PARTSCHAIN GUIDE
SYSTEM

BRAKE SYSTEM

SEATPOST

STEM SYSTEM

HANDLEBAR

AEROBAR
SYSTEMCOMPUTER
MOUNTWATER BOTTLE &
CAGE

ACCESSORIES

FITTING
EQUIPMENT

INLINE SKATES

LAI-J
FOLDING CHAIR**RH-MGC**

41-04

Chain adjuster.

MATERIAL: AL6061-T6 CNC finished
OPTION: 10mm, 14mm

**RH-SP38-S**

41-05

Alloy chain adjuster.

SPEC: Ø14 x14w, Ø10 x10w
 Shorter for small dropout

**RH-SP25**

41-06

Alloy chain adjuster.

SPEC: Ø14 x14w, Ø10 x10w
 Shorter for small dropout

**RH-AT09**

41-07

Chain adjuster.
For 10mm or 14mm dropout.

MATERIAL: AL6061-T6
OPTION: 3 different length bolt
 12mm, 15mm, 18mm

**RH-AT09-H**

41-08

Chain adjuster.
For 10mm or 14mm dropout.

MATERIAL: AL6061-T6 CNC finished
OPTION: 3 different length bolt
 12mm, 15mm, 18mm

**RH-STAR**

41-09

Chain adjuster.
For 10mm dropout.

MATERIAL: AL6061-T6

**RH-ARROW**

41-10

Chain adjuster involute profile design.
For 14mm dropout.

MATERIAL: AL6061-T6

**RH-112A**

41-11

Chain adjuster.
For 5mm, 7mm dropout.

MATERIAL: Steel bolt + AL6061-T6 nut
AXLE: 10mm

**RH-112-E**

41-12

Chain adjuster.
For 5mm dropout.

MATERIAL: Steel bolt
AXLE: 10mm

**RH-RD10**

41-13

Alloy adjuster.
Special design available.

MATERIAL: AL6061-T6

ITEM	P.C.D SPEC		CHAINRING SPEC
CX 1042S	104mm	Standard	30 / 32 / 34 / 36 / 38 / 40 / 42 / 44 / 46 / 48
CX 1042S OV	104mm	Standard	34 / 36 / 38 / 40 / 42 / 44 / 46 / 48
CX 96S	96mm	Standard	32 / 34 / 36 / 38 / 40 / 42 / 44 / 46 / 48
CX XTR 96S	96mm	XTR M9000	30 / 32 / 34 / 36 / 38 / 40 / 42 / 44 / 46 / 48
CX XTR 96S OV	96mm	XTR M9000	34 / 36 / 38 / 40 / 42 / 44 / 46 / 48
CX 130S	130mm	Standard	38 / 40 / 42

ITEM	P.C.D SPEC		CHAINRING SPEC
CX 110S	110mm	Standard	38 / 40 / 42
CX 110S 68	110mm	FC6800 / ULTEGRA	40 / 42 / 44 / 46 / 48
CX 110S 58	110mm	FC5800 105	40 / 42 / 44 / 46 / 48
CX 120S	120mm	SRAM® Standard	36 / 38 / 40
CX 76X11S	76mm	SRAM® XX1 System	30 / 32 / 34 / 36
CX GX94S	94mm	SRAM® GX Crank System	32 / 34 / 36
CX GXPS	-	GXP System	30 / 32 / 34 / 36 / 38

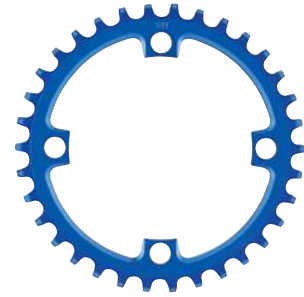


CX-XTR-DIR

42-01

Narrow Wide chainring for XTR / XT 12 speed crank.

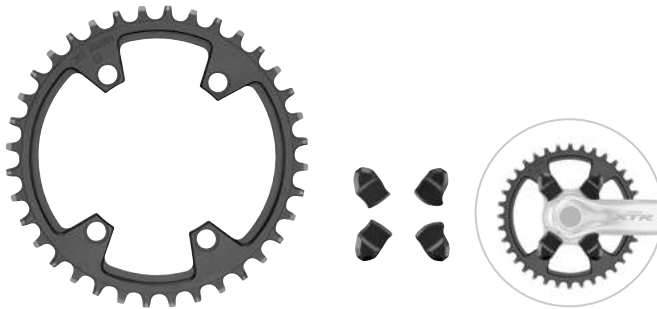
MATERIAL: AL7075-T651
TEETH: 30T / 32T / 34T / 36T
SPEC: XTR/XT Direct mount



CX-1042S

42-02

MATERIAL: AL7075-T651
P.C.D: Ø104mm
TEETH: 30T / 32T / 34T / 36T / 38T / 40T
HIGHT: 4mm
WEIGHT: 46.5g/pcs (34T)



CX-XTR-96S

42-03

Narrow Wide chainrings for XTR M9000 / M9020 11 speed crank with custom made crank cover caps.

MATERIAL: AL7075-T651
P.C.D: Ø96mm
TEETH: 30T / 32T / 34T / 36T
HIGHT: 4mm
WEIGHT: 46g/pcs (34T)
CRANK COVER CAP MATERIAL: AL6061-T6 (4pcs)
CHAINRING BOLT MATERIAL: AL7075-T651 (4pcs)

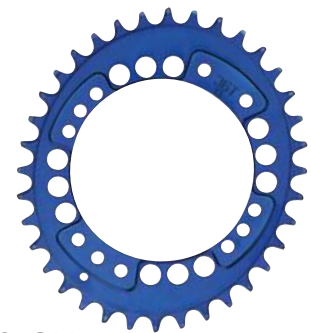


CX-96S

42-04

Full CNC made narrow wide chainring for 1x system. For P.C.D 96mm x 4 arms standard.

MATERIAL: AL7075-T651 CNC made
P.C.D: Ø96mm
TEETH: 32T, 34T, 36T, 38T
SPEC: 52g/pcs (34T)

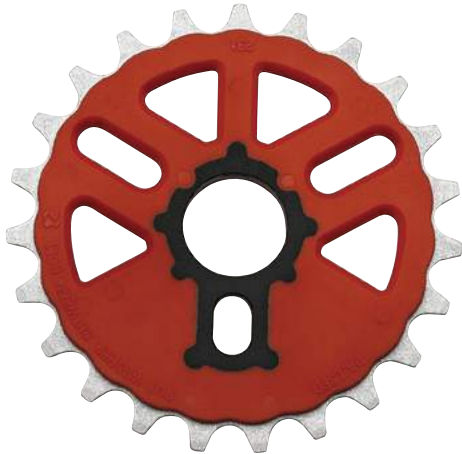


CX-1042S-OV

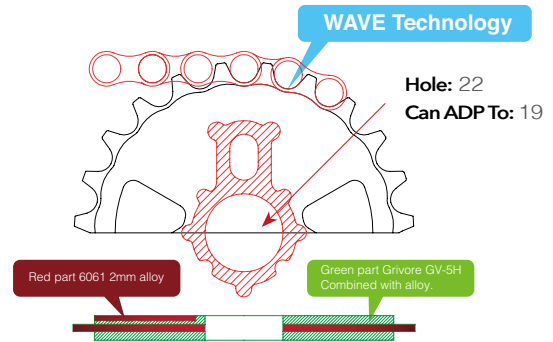
42-05

Oval shape design make the spin cycle a lot smoother and easier on the legs while climbing. Adjust the oval ring in 3 position to increase it's effect. Full CNC made narrow wide chainring for 1x system.

MATERIAL: AL7075-T651
P.C.D: Ø104mm
TEETH: 34T, 36T
WEIGHT: 79g/pcs (34T)



SANDWICH STRUCTURE



CW-GVX

43-01

MATERIAL: Grivore GV-5H (SWISS®)
P.A.T ED international
SPEC: Ø22 (Ø19 adapter)
WEIGHT: 55g/pcs (23T)
 65g/pcs (25T)

QUICK RELEASE

THRU AXLE

SEAT CLAMP

TOP CAP

HEADSETS PARTS

CRANK SET

CHAINRING SYSTEM

E-BIKE SYSTEM

ROLLER KIT SERIES

BMX SERIES

CHAINRING PARTS



FTP-36 FTP-53E FTP-53H FTP-0352

P.A.T ED



**FTP-36 / FTP-53H
 FTP-53E / FTP-0352**

43-02

Chain catcher for Road bike.

FIX: 36T - 46T (FTP-36)
 34T - 50T, 39T - 53T (FTP-53)
 Triple (FTP-0352)
WEIGHT: 10g/pcs (FTP-36), 12g/pcs (FTP-53E)
 11g/pcs (FTP-53H), 9.2g/pcs (FTP-0352)
COLOR: As Order



CHAIN GUIDE SYSTEM

BRAKE SYSTEM

SEATPOST

STEM SYSTEM

HANDLEBAR

AEROBAR SYSTEM

COMPUTER MOUNT

WATER BOTTLE & CAGE

ACCESSORIES

FITTING EQUIPMENT

INLINE SKATES

LAI-J FOLDING CHAIR



FTP-AERO

43-03

Cold forged AL6061-T6.
FIX: 34T - 50T & 39T - 53T
WEIGHT: 33g/pcs



FTP-CL

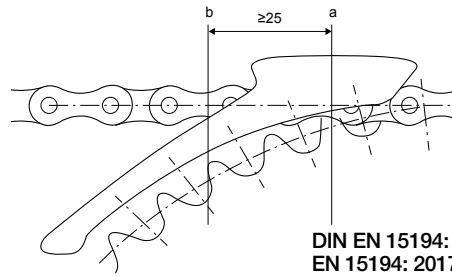
43-04

Chain catcher for Road bike.
SPEC: Ø31.8, Ø34.9 (with FTP-53H)
WEIGHT: 29.1g/pcs
OPTION: FTP-36, FTP-53E, FTP-0352



CHAIN GUIDE SYSTEM

Qualified with some country rule as chainring have to cover from centreline to back at least 25mm.



DIN EN 15194: 2017-12
EN 15194: 2017 (D)

Easy to set up the top guide position



DESIGN:
CH-MINI UPPER
CH-MED2 UPPER



CH-E8-MED2

Standards compliant EN 15194: 2017-12



CH-E8-MED



CH-E8-MINI

**CH-E8-MED2
CH-E8-MED
CH-E8-MINI**

45-01

Design for SHIMANO® E8000 system.
Easy to set up the top guide position.

MATERIAL: AL6061-T6
SPEC: E8000
RANGE: 30T - 40T
COLOR: As Order
OPTION: Spacer thickness



2.5mm



5mm



0.5mm



CH-GN4-MED2

Standards compliant EN 15194: 2017-12



CH-GN4-MED



CH-GN4-MINI

**CH-GN4-MED2
CH-GN4-MED
CH-GN4-MINI**

45-02

For BOSCH® Gn4 chain guide.

MATERIAL: AL6061-T6
RANGE: 32T - 38T
COLOR: As Order
OPTION: Spacer thickness



2.5mm



5mm



0.5mm



CH-BOSCX-MED2

Standards compliant EN 15194: 2017-12



CH-BOSCX-MED



CH-BOSCX-MINI

**NEW
CH-BOSCX-MED2
CH-BOSCX-MED
CH-BOSCX-MINI**

45-03

For BOSCH® CX GN5 chain guide.

MATERIAL: AL6061-T6
SPEC: BOSCH® CX GN5
RANGE: 32T-38T
COLOR: As Order
OPTION: Spacer thickness



2.5mm



5mm



0.5mm



QUICK RELEASE

THRU AXLE

SEAT CLAMP

TOP CAP

HEADSETS PARTS

CRANK SET

CHAINRING SYSTEM

E-BIKE SYSTEM

ROLLER KIT SERIES

BMX SERIES

CHAINRING PARTS

CHAIN GUIDE SYSTEM

BRAKE SYSTEM

SEATPOST

STEM SYSTEM

HANDLEBAR

AEROBAR SYSTEM

COMPUTER MOUNT

WATER BOTTLE & CAGE

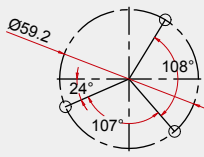
ACCESSORIES

FITTING EQUIPMENT

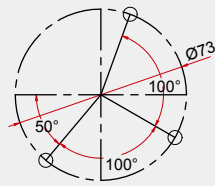
INLINE SKATES

LAI-J FOLDING CHAIR

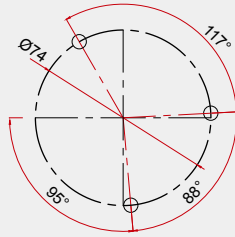
ISCG



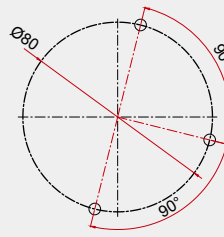
ISCG 05



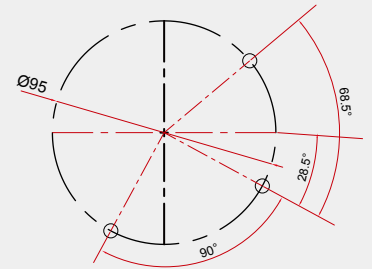
SHIMANO® E8000



Bosch® GN4



Bosch® GN5

**CH-R1-MINI**

46-01

Design for mtb 1x system drivetrain.
Carbon long fibers with nylon Injection.
 Without ADP-N.
 Easy to set up the top guide position.

MATERIAL: Carbon with nylon
SPEC: ISCG-05
RANGE: 30T - 36T
WEIGHT: 28g/set

**CH-A1-MINI**

46-02

Design for mtb 1x system drivetrain.
 Without ADP-N.
 Easy to set up the top guide position.

MATERIAL: AL6061-T6 forged
SPEC: ISCG-05
RANGE: 30T - 38T
WEIGHT: 35.8g/set
COLOR: As Order

**CH-A1-MED**

46-03

Design for 1x system drivetrain with mid size plastic cage W/O ADP-N.

MATERIAL: AL6061-T6
SPEC: ISCG-5
RANGE: 32T - 38T
WEIGHT: 38g/set
COLOR: As Order

**CH-DDS1-MINI**

46-04

Chain guard for 1 by 9, 10, 11 speed drivetrain.

MATERIAL: AL6061-T6 full CNC made
SPEC: Direct mount type guard
RANGE: 30T - 38T
COLOR: As Order

**CH-DDS1**

46-05

MATERIAL: AL6061-T6 full CNC made
SPEC: Direct mount type guard
RANGE: 34T - 40T
COLOR: As Order

**CH-CM2**

46-06

Chain guide for MTB 1x9 or 1x10 drivetrain.
 With CH-EX plastic upper guard.

MATERIAL: AL6061-T6
DIA: Ø34.9 With adapter to Ø31.8
COLOR: Black
 Chainline adjustable





CH-ESG

47-01

Chain guide with bash guard.
Bash guard made by strong swiss plastic.
With ADP-N for E-type BB mount.

MATERIAL: AL6061-T6
SPEC: ISCG or ISCG-05
RANGE: 32T - 38T
WEIGHT: 240g/set
COLOR: As Order



CH-ES-32

47-02

Chain guide with bash guard, light weight design, bash guard made by swiss material.

MATERIAL: AL6061-T6
SPEC: ISCG-05
RANGE: 28T - 32T
COLOR: As Order



CH-GMR1

47-03

For 1x 9 / 1x 10 / 1x 11 speed.
Chain guide with bash guard, bash guard made by strong swiss plastic.
With ADP-N for E-type BB mount.

MATERIAL: AL6061-T6
SPEC: ISCG or ISCG-05
RANGE: 32T - 38T
WEIGHT: 116g/set (without ADP-N)
COLOR: As Order



CH-ER

47-04

Must added chainring protector.
With ADP-N for E-type BB mount.

MATERIAL: AL6061-T6
SPEC: ISCG or ISCG-05
FIX: 32T - 38T



CH-G-MINI

47-05

Designed for MTB 1X system drivetrain.
For chainring to avoid chain drop.
With bash guard to protect chainring.
With ADP-N for E-type BB mount.

MATERIAL: AL6061-T6
SPEC: ISCG or ISCG-05
RANGE: 26T - 36T



Anti-Chainsuck

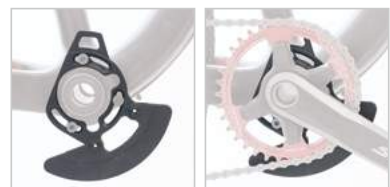


CH-ES3

47-06

Chainring protector for single speed to prevent rocks hitting on the chainring.
With ADP-N for E-type BB mount.

MATERIAL: AL6061-T6
SPEC: ISCG or ISCG-05
RANGE: 28T - 40T
WEIGHT: 142g/set
COLOR: As Order



QUICK RELEASE

THRU AXLE

SEAT CLAMP

TOP CAP

HEADSETS PARTS

CRANK SET

CHAINRING SYSTEM

E-BIKE SYSTEM

ROLLER KIT SERIES

BMX SERIES

CHAINRING PARTS

CHAIN GUIDE SYSTEM

BRAKE SYSTEM

SEATPOST

STEM SYSTEM

HANDLEBAR

AEROBAR SYSTEM

COMPUTER MOUNT

WATER BOTTLE & CAGE

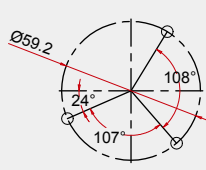
ACCESSORIES

FITTING EQUIPMENT

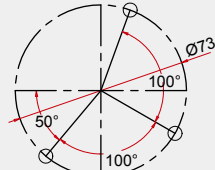
INLINE SKATES

LAI-J FOLDING CHAIR

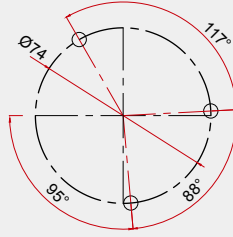
ISCG



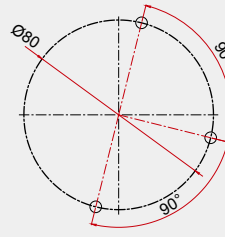
ISCG 05



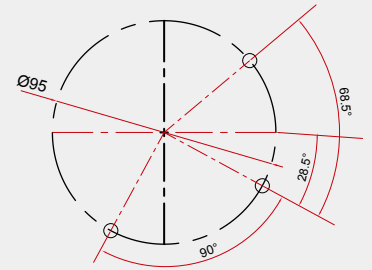
SHIMANO® E8000



Bosch® GN4



Bosch® GN5



CH-EX

48-01

With ADP-N for E-type BB mount.

MATERIAL: AL6061-T6
SPEC: ISCG or ISCG-05
FIX: 32T - 38T



CH-EX-E

48-02

With ADP-N for E-type BB mount.

MATERIAL: AL6061-T6
SPEC: ISCG or ISCG-05
FIX: 32T - 38T



CH-EX-S

48-03

With ADP-N for E-type BB mount.

MATERIAL: Harden steel
SPEC: ISCG or ISCG-05
FIX: 32T - 38T
OPTION: ADP-N





CH-MTS-MINI

49-01

Designed for MTB 1x system drivetrain.
Special design for 28T~32T chainrings to avoid chain drops during heavy use.
Simple but effective!

Without ADP-N for E-type BB mount.

MATERIAL: AL6061-T6 CNC made
SPEC: ISCG or ISCG-05
SIZE: 28T - 32T
THICKNESS: 5mm
WEIGHT: 52g/set
COLOR: Anodized Black



CH-MTS

49-02

Chain guide for MTB 1x9 or 1x10 drivetrain.
With CH-EX plastic upper guard.
BB mount version only.

MATERIAL: AL6061-T6
COLOR: Black
Includes spacers for chainline adjustable



CH-261

49-03

With ADP-N for normal.

SPEC: ISCG
FIX: 32T - 38T



CH-EMR

49-04

Roller type design. (For double chainring)

MATERIAL: AL6061-T6 CNC made
SPEC: ISCG or ISCG-05
FIX: 32T - 44T



CH-E8-EMR

49-05

Roller type design for SHIMANO® E8000 system.

MATERIAL: AL6061-T6
SPEC: E8000
RANGE: 30T - 40T
WEIGHT: 49g/set
COLOR: As Order



ISCG-05



E-TYPE



ISCG

CH-2GC

49-06

Roller type design. (for double chainring)

MATERIAL: AL6061-T6 CNC made
SPEC: ISCG or ISCG-05 or E-type
FIX: 32T - 44T



CH-09

49-07

Rotating & floating chain tensioner



CH-092

49-08

For side chain stay



QUICK RELEASE

THRU AXLE

SEAT CLAMP

TOP CAP

HEADSETS PARTS

CRANK SET

CHAINRING SYSTEM

E-BIKE SYSTEM

ROLLER KIT SERIES

BMX SERIES

CHAINRING PARTS

CHAIN GUIDE SYSTEM

BRAKE SYSTEM

SEATPOST

STEM SYSTEM

HANDLEBAR

AEROBAR SYSTEM

COMPUTER MOUNT

WATER BOTTLE & CAGE

ACCESSORIES

FITTING EQUIPMENT

INLINE SKATES

LAI-J FOLDING CHAIR

**ADP-N**

50-01

Adapter for ISCG or ISCG05 to E-type BB mount.

MATERIAL: AL6061-T6
COLOR: As Order

**CH-MINI UPPER-SV**

50-02

Design for E-bike motor base, custom design available.

MATERIAL: Nylon

**CH-EX-FD**

50-03

Low-profile, FD mount chain guard for 1X drivetrains. Alloy body, with a nylon guide that is easy to adjust and quiet on your chain.

MATERIAL: AL6066-T651 body / nylon cage
SPEC: FD mount system
RANGE: 32T - 58T
COLOR: Black
WEIGHT: 25g/set

**CH-ES-LD**

50-04

Low-profile, low direct mount chain guard for 1X drivetrains. Carbon injection body, with a nylon guide that is easy to adjust and quiet on your chain.

MATERIAL: Carbon body / nylon cage
SPEC: Low direct mount system
RANGE: 32T - 36T
COLOR: Black
WEIGHT: 17g/set

**CH-CM1-E**

50-05

Chain guard for 1 by 9, 10, 11 speed. With plastic upper guard. Easy to set up the top guide position.

MATERIAL: AL6061-T6
DIA: Ø34.9 or Ø31.8
COLOR: Black
WEIGHT: 44g/set





CH-CM1

51-01

Chain guard for 1 by 9, 10, 11 speed.
With plastic upper guard.

MATERIAL: AL6061-T6
DIA: Ø34.9 With adapter to Ø31.8
COLOR: Black



CH-1042E

51-02

Design for 1x seattube mount system
drivetrain with small size plastic cage to
avoid chain drop for 1 by 9, 10, 11, 12
speed.

MATERIAL: AL6061-T6 forged
SPEC: Seattube Ø34.9 / Ø31.8
COLOR: As Order



CH-1042B

51-03

Chain guard for 1 by 9, 10, 11 speed.
With plastic upper part.

MATERIAL: AL6061-T6
DIA: Ø34.9 with adapter to Ø31.8
COLOR: Black
Chainline adjustable



CH-CM4-E

51-04

Chain guard for 1 by 9, 10, 11 speed.
With plastic upper guard.
Easy to set up the top guide position.

MATERIAL: AL6061-T6
DIA: Ø34.9 or Ø31.8
COLOR: Black
WEIGHT: 58.5g/set



CH-CM4

51-05

Chain guard for 1 by 9, 10, 11 speed.
With plastic upper guard.

MATERIAL: AL6061-T6
DIA: Ø34.9 With adapter to Ø31.8
COLOR: Black
WEIGHT: 57g/set
Chainline adjustable

QUICK
RELEASE

THRU AXLE

SEAT CLAMP

TOP CAP

HEADSETS
PARTS

CRANK SET

CHAINRING
SYSTEM

E-BIKE SYSTEM

ROLLER KIT
SERIES

BMX SERIES

CHAINRING
PARTS

CHAIN GUIDE SYSTEM

BRAKE SYSTEM

SEATPOST

STEM SYSTEM

HANDLEBAR

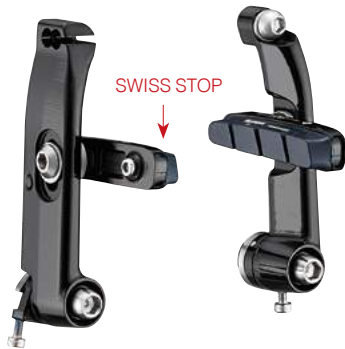
AEROBAR
SYSTEMCOMPUTER
MOUNTWATER BOTTLE &
CAGE

ACCESSORIES

FITTING
EQUIPMENT

INLINE SKATES

LAI-J
FOLDING CHAIR

**BRK-AERO-V730-CNC**

52-01

Fits GIANT® PROPEL.
Direct mount aero V brake.
Liner spring adjuster system.
Quick adjuster for different rim width.

MATERIAL: AL6061-T6
BRAKE SHOES: SWISS STOP® brake shoes
COLOR: As Order
WEIGHT: 260.5g/bike

**BRK-AERO-V730-FG**

52-02

Fits GIANT® PROPEL.
Direct mount aero V brake.
Liner spring adjuster system.
Quick adjuster for different rim width.

MATERIAL: Cold forged AL6061-T6
BRAKE SHOES: AMISHA® brake shoes
COLOR: As Order
WEIGHT: 285g/bike

**V3L-BRAKE**

52-03

Change from coil spring to liner spring balance adjustable.

MATERIAL: AL7075-T6 full CNC made
WEIGHT: 150g/wheel
COLOR: Sand blast anodize

**V4-BRAKE**

52-04

Easy spring balance adjustable.

MATERIAL: AL7075-T6 full CNC made
WEIGHT: 155g/wheel
COLOR: As Order

**JULY-7905-CNC**

52-05

MATERIAL: AL6066-T6 CNC made
BRAKE SHOES: CNC cassette
BOLT: Ti-64 main bolt
DIMENSION: C-C 39-51mm
OPTION: SWISS STOP® carbon rim pads available
COLOR: Polish anodize
WEIGHT: 210g/bike
SHIMANO® DURA-ACE 297g/bike
SRAM® RED 240g/bike

**TOP SALE**
JULY-7905-F5

52-06

MATERIAL: AL6061-T6 forged
BRAKE SHOES: forged cassette
BOLT: Cr-Mo main bolt
DIMENSION: C-C 39-51mm
OPTION: AMISHA® carbon rim pads available
COLOR: Polish anodize
WEIGHT: 230g/bike
SHIMANO® DURA-ACE 297g/bike
SRAM® RED 240g/bike



CAMP-97C-R

53-01

Reversed.

MATERIAL: AL6066-T6 CNC made
DIMENSION: C-C 39-51mm
 (+2mm than normal)
WEIGHT: 310g/bike



CAMP-97C-L

53-02

MATERIAL: AL6066-T6 CNC made
DIMENSION: C-C 47-57mm
WEIGHT: 367g/bike



CAMP-94773

53-03

MATERIAL: AL6061-T6 forged
BRAKE SHOES: AMISHA® dark blue
DIMENSION: C-C 47-73mm
COLOR: Sand blast anodize
WEIGHT: 370g/bike



CAMP-97C

53-04

MATERIAL: AL6066-T6 CNC made
DIMENSION: C-C 39-51mm
 (+2mm than normal)
WEIGHT: 310g/bike



CAMP-94773H

53-05

MATERIAL: AL6061-T6 forged CNC made
BRAKE SHOES: AMISHA® dark blue
DIMENSION: C-C 47-73mm
COLOR: Sand blast anodize
WEIGHT: 343g/bike



QUICK
RELEASE

THRU AXLE

SEAT CLAMP

TOP CAP

HEADSETS
PARTS

CRANK SET

CHAINRING
SYSTEM

E-BIKE SYSTEM

ROLLER KIT
SERIES

BMX SERIES

CHAINRING
PARTS

CHAIN GUIDE
SYSTEM

BRAKE SYSTEM

SEATPOST

STEM SYSTEM

HANDLEBAR

AEROBAR
SYSTEM

COMPUTER
MOUNT

WATER BOTTLE &
CAGE

ACCESSORIES

FITTING
EQUIPMENT

INLINE SKATES

LAI-J
FOLDING CHAIR



CT-ML-LEVER

54-01

Forged lever & CNC bracket.
Ergonomic lever design.
For Ø31.8mm handlebar.

MATERIAL: AL6061-T6 with Ø24mm shim
WEIGHT: 128g/pair
Not available in Japan
Design by TOKYO SAN-ESU



Multi brake position available

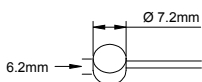


V3L-LEVER

54-02

For V-brake.
Three finger.

MATERIAL: AL6066-T6 full CNC made
WEIGHT: 70g/pair
COLOR: Sand blast anodize
BAR: Ø24mm with Ø22.2 Shim

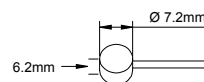


CT32-LEVER

54-03

For canti & caliper brake.
Two finger.

MATERIAL: AL6066-T6 full CNC made
LEVER RANGE: 102mm
WEIGHT: 85g/pair
COLOR: Sand blast anodize
BAR: Ø24mm with Ø22.2 Shim

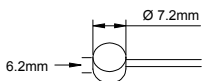


CT3L-LEVER

54-04

For canti & caliper brake.
Three finger.

MATERIAL: AL6066-T6 full CNC made
WEIGHT: 70g/pair
COLOR: Sand blast anodize
BAR: Ø24mm with Ø22.2 Shim



TT-LEVER

54-05

Cold forged lever.
Nylon + Carbon fiber body.

WEIGHT: 95g/pair
COLOR: Sand blast anodize
Aerodynamics design



CAS+5

55-01

Angle adjustable brake shoes.

MATERIAL: AL6061-T6 CNC made
SPEC: +5mm for better clear front brake
OPTION: 1. AMISHA® dark blue
 2. SWISS STOP® yellow king
 3. SWISS STOP® green



CAS-5

55-02

Angle adjustable brake shoes.

MATERIAL: AL6061-T6 CNC made
SPEC: -5mm for better clear rear brake
OPTION: 1. AMISHA® dark blue
 2. SWISS STOP® yellow king
 3. SWISS STOP® green



CAS-1

55-03

MATERIAL: AL6061-T6 CNC made
BOLT: Ti-64 SHIMANO® system
WEIGHT: 30g/set
OPTION: 1. AMISHA® dark blue
 2. SWISS STOP® yellow king
 3. SWISS STOP® green
 4. Ti-64 bolt



CAS-62C

55-04

For canti brake.
 Angle adjustable brake shoes.

MATERIAL: Forged with CNC made
OPTION: AMISHA® dark blue



CANTI-3C

55-05

With oval pads hold design.
 With AMISHA® dark blue brake shoes.

OPTION: SWISS STOP® pads
 CNC cas+5 holder for front
 CNC cas-5 holder for rear

Non adjustable spring



CANTI-2C

55-06

With AMISHA® dark blue.
 Non adjustable spring.



1270-CI

55-07

Carbon spacer with canti brake hanger
 reduces brake noise.



12-CX

55-08

Canti brake hanger for fork.

COLOR: As Order



QUICK
RELEASE

THRU AXLE

SEAT CLAMP

TOP CAP

HEADSETS
PARTS

CRANK SET

CHAINRING
SYSTEM

E-BIKE SYSTEM

ROLLER KIT
SERIES

BMX SERIES

CHAINRING
PARTS

CHAIN GUIDE
SYSTEM

BRAKE SYSTEM

SEATPOST

STEM SYSTEM

HANDLEBAR

AEROBAR
SYSTEM

COMPUTER
MOUNT

WATER BOTTLE &
CAGE

ACCESSORIES

FITTING
EQUIPMENT

INLINE SKATES

LAI-J
FOLDING CHAIR

SEATPOST SYSTEM



NEW
SPA-35A

56-01

MATERIAL: 3D forged AL6066-T6
SPEC: Ø34.9mm
LENGTH: 450mm
OFFSET: 20mm
WEIGHT: 626g
FUTURE: 550-600mm



NEW
SHIM-1012

56-02

MATERIAL: AL6061-T6
SPEC: OD Ø30.0 x ID Ø27.2 x (H)100mm
OD Ø30.2 x ID Ø27.2 x (H)100mm
OD Ø30.6 x ID Ø27.2 x (H)100mm
OD Ø30.9 x ID Ø27.2 x (H)100mm
OD Ø31.6 x ID Ø27.2 x (H)100mm
OD Ø33.9 x ID Ø30.9 x (H)110mm
OD Ø34.9 x ID Ø30.9 x (H)110mm
OD Ø33.9 x ID Ø31.6 x (H)110mm
OD Ø34.9 x ID Ø31.6 x (H)110mm
OD Ø40.0 x ID Ø33.9 x (H)120mm
OD Ø40.0 x ID Ø34.9 x (H)120mm
COLOR: As Order



SHIM-SLEEVE-NH

56-03

MATERIAL: AL6061-T6
SPEC: As Order
LENGTH: As Order



QUICK RELEASE

THRU AXLE

SEAT CLAMP

TOP CAP

HEADSETS PARTS

CRANK SET

CHAINRING SYSTEM

E-BIKE SYSTEM

ROLLER KIT SERIES

BMX SERIES

CHAINRING PARTS

CHAIN GUIDE SYSTEM

BRAKE SYSTEM

SEATPOST

STEM SYSTEM

HANDLEBAR

AEROBAR SYSTEM

COMPUTER MOUNT

WATER BOTTLE & CAGE

ACCESSORIES

FITTING EQUIPMENT

INLINE SKATES

LAI-J FOLDING CHAIR



The upper and lower clamps, made of carbon fiber, are specifically designed to protect the saddle rail. The contact area between the lower clamp and the rail is enlarged to free the saddle rail from deformation.



SPC-SL3
SPC-SL3-DI2

57-01

MATERIAL: One piece UD Carbon fiber
SADDLE CLAMP: Carbon clamp protect Carbon rail
SPEC: Ø27.2 or Ø30.9 or Ø31.6mm
LENGTH: 350 or 400mm
OFFSET: 0mm
WEIGHT: 190g/pcs (Ø31.6x350mm)
OPTION: SPC-SL3-DI2 (with SHIMANO® seatpost battery collar)



SPC-21
SPC-21-DI2

57-02

MATERIAL: UD Carbon fiber
SPEC: Ø27.2 or Ø30.9 or Ø31.6mm
LENGTH: 350 or 400mm
OFFSET: 20mm
WEIGHT: 200g/pcs (Ø31.6x350mm)
OPTION: SPC-21-DI2 (with SHIMANO® seatpost battery collar)



P1206092 / P1206093
Pass overload 300 kg



SPA-21A
SPA-21A-DI2

57-03

MATERIAL: 3D forged AL6061-T6
SPEC: Ø27.2 or Ø31.6mm
LENGTH: 300 or 350 or 400mm
OFFSET: 20mm
WEIGHT: 330g/pcs (Ø31.6x350mm)
OPTION: SPA-21A-DI2 (with SHIMANO® seatpost battery collar)



SPA-SL6 / SPA-SL6-DI2

57-04

Full CNC finish.
MATERIAL: AL6066-T6
SPEC: Ø27.2 or Ø30.9 or Ø31.6mm
LENGTH: 350 or 400mm
OFFSET: 0mm
WEIGHT: 309.5g/pcs (Ø31.6x400mm)
OPTION: SPA-SL6-DI2 (with SHIMANO® seatpost battery collar)
Not available in U.S.A



SPC-11 / SPC-11-DI2

57-05

MATERIAL: BODY: AL6061-T6
TUBE: UD Carbon
SADDLE CLAMP: Carbon clamp Protect Carbon rail
SPEC: Ø27.2 or Ø30.9 or Ø31.6mm
LENGTH: 300 or 350 or 400mm
OFFSET: 20mm
WEIGHT: 235g/pcs (Ø31.6x350mm)
OPTION: SPC-11-DI2 (with SHIMANO® seatpost battery collar)



ADP-DI2-27.2

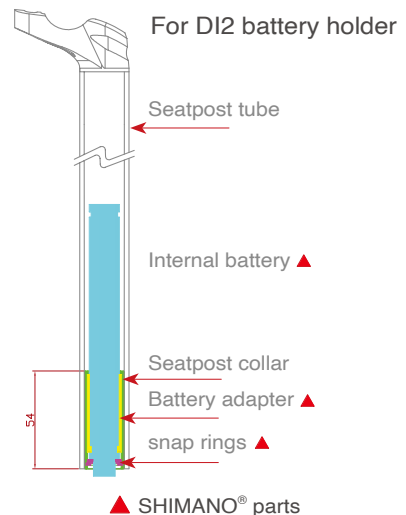


ADP-DI2-31.6

ADP-DI2-27.2
ADP-DI2-31.6

57-06

SHIMANO® DI2 seatpost battery collar.
With grinding paper, alcohol wipe, glue.
MATERIAL: AL6061-T6
SPEC: ADP-DI2-27.2 for seatpost I.D. Ø22.2mm
ADP-DI2-31.6 for seatpost I.D. Ø27.2mm
Seatpost I.D. must be round
ADP-DI2 O.D. Customer design available
WEIGHT: 16g/pcs (for Ø27.2)
28.5g/pcs (for Ø31.6)





Better handling and reduced probability of deformation.

EFBE
PRÜFTECHNIK

P1306487 / P1306488 / P1306489



STEM-LB35A

58-01

Fork stack height 40mm.
Ø31.8mm handlebar clamp Ø35mm.

MATERIAL: AL6066-T6

SPEC: 80 - 130mm

ANGLE: ±8°

WEIGHT: 142g/pcs (110mm)

OPTION: Titanium bolt

INCLUDING: 1. SHIM-3x2 OD Ø35 x ID Ø31.8 x 60mm
2. SHIM-CC OD Ø31.8 x ID Ø28.6 x 38mm



SHIM-3X2-AL

58-02

Alloy spacer.

MATERIAL: AL6061

SPEC: OD Ø35 x ID Ø31.8mm

WIDTH: 45mm



SHIM-CC-AL

58-03

Alloy spacer.

MATERIAL: AL6061

SPEC: OD Ø31.8 x ID Ø28.6mm

H: 38mm



SHIM-3x2

58-04

Bar bore adapter also reduces vibrations.

MATERIAL: Carbon

SPEC: OD Ø35 x ID Ø31.8 x 60mm

OD Ø31.8 x ID Ø26 x 60mm

OD Ø31.8 x ID Ø25.4 x 60mm



SHIM-CC

58-05

For fork stem tube.

MATERIAL: Carbon UD

SPEC: OD Ø31.8 x ID Ø28.6mm

H: 38mm



AC-31.8-36-H

58-06

Carbon spacer.

SPEC: OD Ø36 x ID Ø32mm

H: As Order

COLOR: 3K, UD



AC-36-H

58-07

Carbon spacer.

SPEC: OD Ø36 x ID Ø28.6mm

H: As Order

COLOR: 3K, UD



TK-T032A

58-08

For Ø31.8mm fork.
With stainless steel bolt.

MATERIAL: AL6061-T6

WEIGHT: 11.2g/pcs



TK-032SW

58-09

For carbon Ø31.8mm fork.

SPEC: Ø27.5 - Ø27.7mm with shim

LENGTH: 45mm

WEIGHT: 44g/pcs



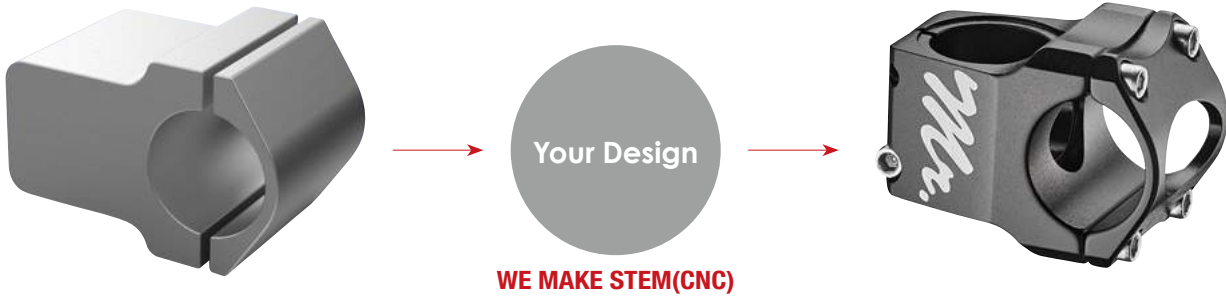
STAR NUT-29

58-10

For Ø31.8mm alloy / Cr-Mo fork.

SPEC: Ø28.8mm

WE OFFER STEM EXTRUSION MATERIAL DATA YOUR STEM DSEIGN WE PROCESS IT (CNC) AS YOU DESIGN.



► **Case Example**

SM-1396_Project

59-01

MATERIAL: AL6061-T6
LENGTH: C-C : 35m/m
SPEC: Steerer tube Ø28.6
 Bar Bore Ø31.8



► **Case Example**

SM-1404_Project

59-02

MATERIAL: AL6061-T6
LENGTH: C-C : 50m/m
SPEC: Steerer tube Ø28.6
 Bar Bore Ø31.8



QUICK
RELEASE

THRU AXLE

SEAT CLAMP

TOP CAP

HEADSETS
PARTS

CRANK SET

CHAINRING
SYSTEM

E-BIKE SYSTEM

ROLLER KIT
SERIES

BMX SERIES

CHAINRING
PARTS

CHAIN GUIDE
SYSTEM

BRAKE SYSTEM

SEATPOST

STEM SYSTEM

HANDLEBAR

AEROBAR
SYSTEM

COMPUTER
MOUNT

WATER BOTTLE &
CAGE

ACCESSORIES

FITTING
EQUIPMENT

INLINE SKATES

LAI-J
FOLDING CHAIR

**STEM-IGM**

60-01

Full CNC made stem integrated cycling computer mount.

MATERIAL: AL6061-T6
SPECS: Handlebar clamp Ø31.8mm
 Steerer tube Ø28.6mm
LENGTH: 80 - 120mm
ANGLE: -6° / -17° / -25°
WEIGHT: 186g/pcs (100mm)

**STEM-LB017**

60-02

Fork stack height 40mm Ø31.8mm.
 Handlebar clamp Ø31.8mm.

MATERIAL: AL6066-T6
SPECS: Diameter Handlebar Ø35mm
 Steerer Tube Ø31.8mm
 Fork Stack Height 40mm
LENGTH: 80 - 120mm
ANGLE: ±17°
WEIGHT: 154g/pcs (140mm)
OPTION: Titanium bolt

**STEM-DC2-01**

60-03

MATERIAL: AL6061-T6
SPECS: Diameter Handlebar Ø35mm
 Steerer Tube Ø31.8mm
 Fork Stack Height 40mm

LENGTH: 80 - 120mm
ANGLE: -17° / -25°

OPTION:

1. Use with TK-DI2-01 for SHIMANO® DI2 integration Compatible
2. Use with TK-017SW for City bike front cable routing

**PROMOTION****STEM-MA-618-35**

60-04

Classic shape design.

MATERIAL: AL6061-T6 3D forged
SPECS: Bar-bore Ø35mm
 Steerer tube Ø31.8mm
 Fork stack height 40mm
ANGLE: ±6°
LENGTH: 70 - 120mm
WEIGHT: 145g/pcs (90mm)

**STEM-32-ST**

60-05

MATERIAL: AL6061-T6
SPECS: Handlebar clamp Ø31.8mm
 Steerer tube Ø28.6mm
ANGLE: 0°
LENGTH: 35mm
WEIGHT: 103g/pcs
W/O: Top cap



Customize CNC engrave logo

STEM-F013

61-01

Special oval shape increases stiffness and reduces weight.

MATERIAL: AL6066-T6 3D forged CNC made

SPECS: Fork tube 28.6mm
Handlebar clamp 31.8mm
Fork stack height 40mm

LENGTH: 70 - 120mm

ANGLE: $\pm 6^\circ$

QUICK
RELEASE

THRU AXLE

SEAT CLAMP

TOP CAP

HEADSETS
PARTS

CRANK SET

CHAINRING
SYSTEM

E-BIKE SYSTEM

ROLLER KIT
SERIES

BMX SERIES

CHAINRING
PARTS

CHAIN GUIDE
SYSTEM

BRAKE SYSTEM

SEATPOST

STEM
SYSTEM

HANDLEBAR

AEROBAR
SYSTEM

COMPUTER
MOUNT

WATER BOTTLE &
CAGE

ACCESSORIES

FITTING
EQUIPMENT

INLINE SKATES

LAI-J
FOLDING CHAIR



PROMOTION STEM-MA611

61-02

Classic shape design.

MATERIAL: AL6061-T6 3D forged

SPECS: Bar-bore $\varnothing 31.8\text{mm}$
Steerer tube $\varnothing 28.6\text{mm}$
Fork stack height 40mm

ANGLE: $\pm 6^\circ$

LENGTH: 70 - 120mm

WEIGHT: 150g/pcs (100mm)



STEM-LB1

61-03

MATERIAL: AL6066-T6

SPECS: Diameter handlebar $\varnothing 31.8\text{mm}$
Steerer Tube $\varnothing 28.6\text{mm}$
Fork Stack Height 40mm

LENGTH: 50 - 140mm

ANGLE: $\pm 6^\circ$

WEIGHT: 128g/pcs (120mm)

OPTION: Titanium bolt

EFBE
PRÜFTECHNIK

P1306490 / P1306491 / P1306492



STEM-25

61-04

MATERIAL: AL6061-T6 full CNC made

SPECS: Diameter Handlebar $\varnothing 31.8\text{mm}$
Steerer Tube $\varnothing 28.6\text{mm}$
Fork Stack Height 28mm

LENGTH: 80-120mm

ANGLE: $-6^\circ / -17^\circ / -25^\circ$



SM-DH35

61-05

MATERIAL: AL6066-T6

DIRECT MOUNT: Boxxer

SPEC: Handlebar clamp $\varnothing 35\text{mm}$
Offset height 25mm

WEIGHT: 170g/pcs

OPTION: SHIM-3x2 ($\varnothing 35 \times \varnothing 31.8\text{mm}$)

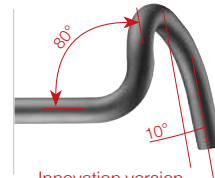
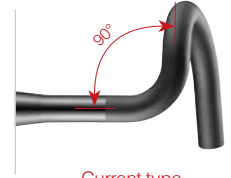


NEW

HB-RBA-0209

62-01

MATERIAL: AL6061-T6
SPEC: Ø31.8 x W360mm / 380mm / 400mm / 420mm / 440mm (C-C)
INWARD: 10degrees
FLARE: 10degrees
DROP: 115mm
REACH: 75mm
BAR TYPE: Compact bend
WEIGHT: 297g/pcs±10g

Innovation version
HB-RBA-0209

Current type



EFBE

PRÜFTECHNIK

P1206089 / P1206090
P1206091

HB-RBC2 / 35

62-02

MATERIAL: Carbon fiber
SPEC: Ø35mm x W400mm / 420mm / 440mm (C-C)
DROP: 128mm
REACH: 78mm
BAR TYPE: Compact bend
WEIGHT: 225g/pcs±10g



EFBE

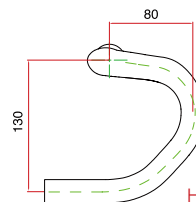
PRÜFTECHNIK

P1206089 / P1206090
P1206091

HB-RBC1

62-03

MATERIAL: Carbon fiber
SPEC: Ø31.8 x W400mm / 420mm / 440mm (C-C)
DROP: 130mm
REACH: 80mm
BAR TYPE: Anatomic bend
WEIGHT: 216g/pcs±10g



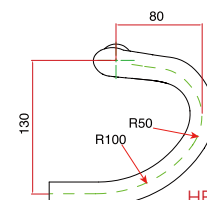
HB-RBC1 Anatomic bend



HB-RBC1-1

62-04

MATERIAL: Carbon fiber
SPEC: Ø31.8 x W400mm / 420mm / 440mm (C-C)
DROP: 130mm
REACH: 80mm
BAR TYPE: Compact bend
WEIGHT: 216g/pcs±10g



HB-RBC1-1 Compact bend

DESIGN FOR DI2 CABLE HOLE

The inner cable of Di2 is getting popular, so MR Control make change for all types of road bike handlebar, we drill the hole for Di2 inner cable to make the handlebar look more clean.

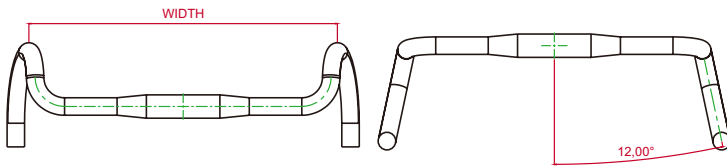


HB-RA010-FL12

63-01

For touring and singletrack. Special design offer 12 degrees flare in the drops comfortable and usability.

MATERIAL: AL6061-T6
SPEC: Ø31.8 x W380mm / 400mm / 420mm / 440mm (C-C)
DROP: 130mm
REACH: 80mm
BAR TYPE: Compact bend 12 degrees of flare
WEIGHT: 320g/pcs±10g

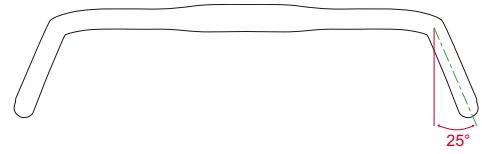


HB-RA009-FL25

63-02

For touring and singletrack. Special design offer 25 degrees flare in the drops, boosts comfortable and usability.

MATERIAL: AL6061-T6
SPEC: Ø31.8 x W480mm / 500mm (C-C)
DROP: 135mm
REACH: 110mm
BAR TYPE: Compact bend 25 degrees of flare
WEIGHT: 350g/pcs±10g

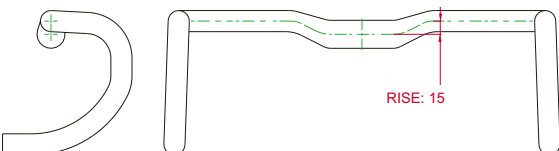


HB-RBA11

63-03

Rise 15mm, could provide different riding posture for rider.

MATERIAL: AL6061-T6
SPEC: Ø31.8 x W360mm / 380mm / 400mm / 420mm (C-C)
DROP: 125mm
REACH: 80mm
BAR TYPE: Anatomic bend
WEIGHT: 310g/pcs±10g



HB-RBA12

63-04

Provides a reduced-size version for the female market.

MATERIAL: AL6061-T6
SPEC: Ø31.8 x 380mm / 400mm / 420mm (C-C)
DROP: 125mm
REACH: 75mm
BAR TYPE: Compact bend
WEIGHT: 310g/pcs±10g



QUICK RELEASE

THRU AXLE

SEAT CLAMP

TOP CAP

HEADSETS PARTS

CRANK SET

CHAINRING SYSTEM

E-BIKE SYSTEM

ROLLER KIT SERIES

BMX SERIES

CHAINRING PARTS

CHAIN GUIDE SYSTEM

BRAKE SYSTEM

SEATPOST

STEM SYSTEM

HANDLEBAR

AEROBAR SYSTEM

COMPUTER MOUNT

WATER BOTTLE & CAGE

ACCESSORIES

FITTING EQUIPMENT

INLINE SKATES

LAI-J FOLDING CHAIR



EFBE
PRÜFTECHNIK

P1206022 / P1206023 /
P1206024

AL6061-T6 Ø31.8mm

HB-ECT-720 (450kg)

64-01

MATERIAL: AL6061-T6
SPEC: AL6061-T6 x W740mm
BAR-BORE: Ø31.8
ECCENTRIC: 5mm
BACK SWEEP: 9 degree
WEIGHT: 330g/pcs±10g
OVERLOAD: 450kg



AL6061-T6 Ø35mm

HB-MABR-E805

64-02

Economic choose for Ø35mm rise handlebar.

MATERIAL: AL6061-T6
SPEC: Ø35 x W780mm
BACK SWEEP: 9 degree
UP SWEEP: 5 degree
RISE: 20mm
WEIGHT: 380g/pcs±10g



EFBE
PRÜFTECHNIK

P1206028 / P1206029 /
P1206030

AL6066-T6 Ø35mm

HB-MABR-780/35 (600kg)

64-03

MATERIAL: AL6066-T6
SPEC: Ø35 x W780mm
RISE: 20mm
BACK SWEEP: 9 degree
UP SWEEP: 5 degree
WEIGHT: 425g/pcs±10g
OVERLOAD: 600kg



AL6061-T6 or AL7050-T73 Ø31.8mm

HB-MABR-E800 (450kg)

64-04

MATERIAL: AL6061-T6 or AL7050-T73
SPEC: Ø31.8 x W640mm / 780mm
BACK SWEEP: 9 degree
UP SWEEP: 5 degree
RISE: 20mm / 25mm / 30mm
WEIGHT: 275 - 375g/pcs±10g
OVERLOAD: 450kg



CARBON Ø31.8mm

HB-ECT780C-D2 (350kg)

65-01

DI2 compatible carbon flat handlebar.

MATERIAL: Carbon fiber
SPEC: Ø31.8 x 780mm
ECCENTRIC: 5mm
BACK SWEEP: 9 degree
WEIGHT: 215g/pcs±10g
OVERLOAD: 350kg

QUICK
RELEASE

THRU AXLE

SEAT CLAMP

TOP CAP

HEADSETS
PARTS

CRANK SET

CHAINRING
SYSTEM

E-BIKE SYSTEM

ROLLER KIT
SERIES

BMX SERIES

CHAINRING
PARTSCHAIN GUIDE
SYSTEM

BRAKE SYSTEM

SEATPOST

STEM SYSTEM



AL6061-T6 Ø31.8mm

HB-ECT720-D2 (350kg)

65-02

DI2 compatible AL6061-T6 flat handlebar.

MATERIAL: AL6061-T6
SPEC: Ø31.8 x 720mm
ECCENTRIC: 5mm
BACK SWEEP: 7 degree
WEIGHT: 260g/pcs±10g
OVERLOAD: 350kg



CARBON Ø31.8mm

HB-ECT-750C (450kg)

65-03

MATERIAL: Carbon fiber (3K or UD)
SPEC: Ø31.8 x W750mm
ECCENTRIC: 5mm
BACK SWEEP: 9 degree
WEIGHT: 185g/pcs±10g
OVERLOAD: 450kg



CARBON Ø31.8mm

**HB-MBR-780/32
HB-MBR-780/32-H (600kg)**

65-04

MATERIAL: Carbon fiber (3K or UD)
SPEC: Ø31.8 x W780mm
RISE: 20mm
BACK SWEEP: 9 degree
UP SWEEP: 5 degree
WEIGHT: 280g/pcs±10g
OPTION: HB-MBR-780 / 32-H
WEIGHT: 320g/pcs±10g
OVERLOAD: 600kg for DH use

EFBE

PRÜFTECHNIK

P1306490 / P1306491 /
P1306492

HANDLEBAR

AEROBAR
SYSTEMCOMPUTER
MOUNTWATER BOTTLE &
CAGE

ACCESSORIES

FITTING
EQUIPMENT

INLINE SKATES

LAI-J
FOLDING CHAIR

CARBON Ø35mm

**HB-MBR-780/35
HB-MBR-780/35-H (600kg)**

65-05

MATERIAL: Carbon fiber (3K or UD)
SPEC: Ø35 x W780mm
RISE: 20 / 30mm
BACK SWEEP: 9 degree
UP SWEEP: 5 degree
WEIGHT: 285g/pcs±10g
OPTION: HB-MBR-780 / 35-H
WEIGHT: 325g/pcs±10g
OVERLOAD: 600kg for DH use

**24 control
35****EFBE**

PRÜFTECHNIK

P1306487 / P1306488 /
P1306489



Include adapter 20 / 40 / 60mm

TRI-ORG-12H

66-01

Armrest with adapter for height adjustment.

MATERIAL: AL6061-T6 CNC made

SPEC: For Ø31.8mm handlebar with TUB-S

OPTION: ALLOY EXTENSION TUBE:

TUB-S, TUB-J, TUB-S1, TUB-S2

3K OR UD CARBON EXTENSION TUBE:

TUB-S-C, TUB-J-C, TUB-I-C, TUB-S2-C



TRI-ORG-12F

66-02

Classic design armrest.

MATERIAL: AL6061-T6 forged CNC made

SPEC: For Ø31.8mm handlebar with TUB-S

OPTION: ALLOY EXTENSION TUBE:

TUB-S, TUB-J, TUB-S1, TUB-S2

3K OR UD CARBON EXTENSION TUBE:

TUB-S-C, TUB-J-C, TUB-I-C, TUB-S2-C



TRI-MINIBAR

66-03

P.A.T ED

For MTB and Road

SPEC: 44mm rise up

From handle position

For Ø31.8mm handlebar



TRI-PA1

66-04

P.A.T ED

Armrest adjustable main bar.

MATERIAL: AL6061-T6

SPEC: For Ø31.8mm handlebar with TUB-S

OPTION: ALLOY EXTENSION TUBE:

TUB-S, TUB-J, TUB-S1, TUB-S2

3K OR UD CARBON EXTENSION TUBE:

TUB-S-C, TUB-J-C, TUB-I-C, TUB-S2-C



TRI-PA1.75

66-05

P.A.T ED

Armrest adjustable main bar.

1.75 rise up from handle.

MATERIAL: AL6061-T6

SPEC: For Ø31.8mm handlebar

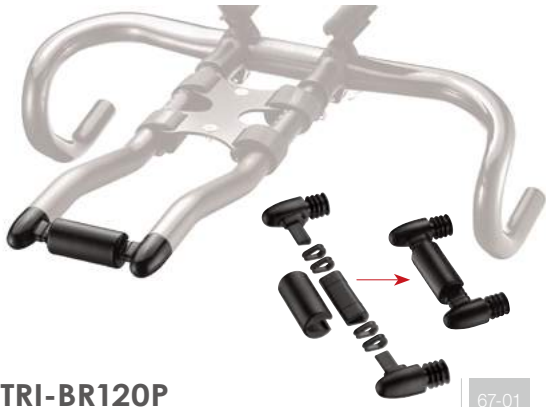
position with TUB-S

OPTION: ALLOY EXTENSION TUBE:

TUB-S, TUB-J, TUB-S1, TUB-S2

3K OR UD CARBON EXTENSION TUBE:

TUB-S-C, TUB-J-C, TUB-I-C, TUB-S2-C



TRI-BR120P

67-01

For triathlon extension bars bridge.
With Ø26mm computer tube.

WIDTH: min.85mm-max.105mm,
5mm pitch adjustable width
Maximum 20mm

MATERIAL: Nylon
WEIGHT: 54g/set



WB-TT1

67-02

Clamping the water bottle cage for triathlon bar.
Bundle for easy hold.

MATERIAL: AL6061-T6
WEIGHT: 30g/set

TUB-J

67-03

MATERIAL: AL6061-T6
ANGLE: 50 degree
LENGTH: 300mm
WEIGHT: 190g/pair

TUB-J



300mm

TUB-S2



310mm

TUB-S



340mm

TUB-S1



180mm

TUB-S2

67-05

MATERIAL: AL6061-T6
ANGLE: 17 degree
LENGTH: 310mm
WEIGHT: 147g/pair

TUB-S1

67-06

MATERIAL: AL6061-T6
ANGLE: 17 degree
LENGTH: 180mm
WEIGHT: 117g/pair

TUB-S

67-04

MATERIAL: AL6061-T6
ANGLE: 17 degree
LENGTH: 340mm
WEIGHT: 203.5g/pair

TUB-J-C

67-07

MATERIAL: Carbon fiber
Ø22.2 rest bar
ANGLE: 50 degree
LENGTH: 300mm
WEIGHT: 131g/pair
Finish Carbon 3K or Carbon UD

TUB-J-C



300mm

TUB-S2-C



310mm

TUB-S-C



340mm

TUB-I-C



300mm

TUB-S2-C

67-09

MATERIAL: Carbon fiber
Ø22.2 rest bar
LENGTH: 310mm
ANGLE: 17 degree
WEIGHT: 120g/pair
Finish Carbon 3K or Carbon UD

TUB-I-C

67-10

MATERIAL: Carbon fiber
Ø22.2 rest bar
ANGLE: 0 degree
LENGTH: 300mm
WEIGHT: 132g/pair
Finish Carbon 3K or Carbon UD

TUB-S-C

67-08

MATERIAL: Carbon fiber
Ø22.2 rest bar
ANGLE: 17 degree
LENGTH: 340mm
WEIGHT: 140g/pair
Finish Carbon 3K or Carbon UD

QUICK
RELEASE

THRU AXLE

SEAT CLAMP

TOP CAP

HEADSETS
PARTS

CRANK SET

CHAINRING
SYSTEM

E-BIKE SYSTEM

ROLLER KIT
SERIES

BMX SERIES

CHAINRING
PARTSCHAIN GUIDE
SYSTEM

BRAKE SYSTEM

SEATPOST

STEM SYSTEM

HANDLEBAR

AEROBAR SYSTEM

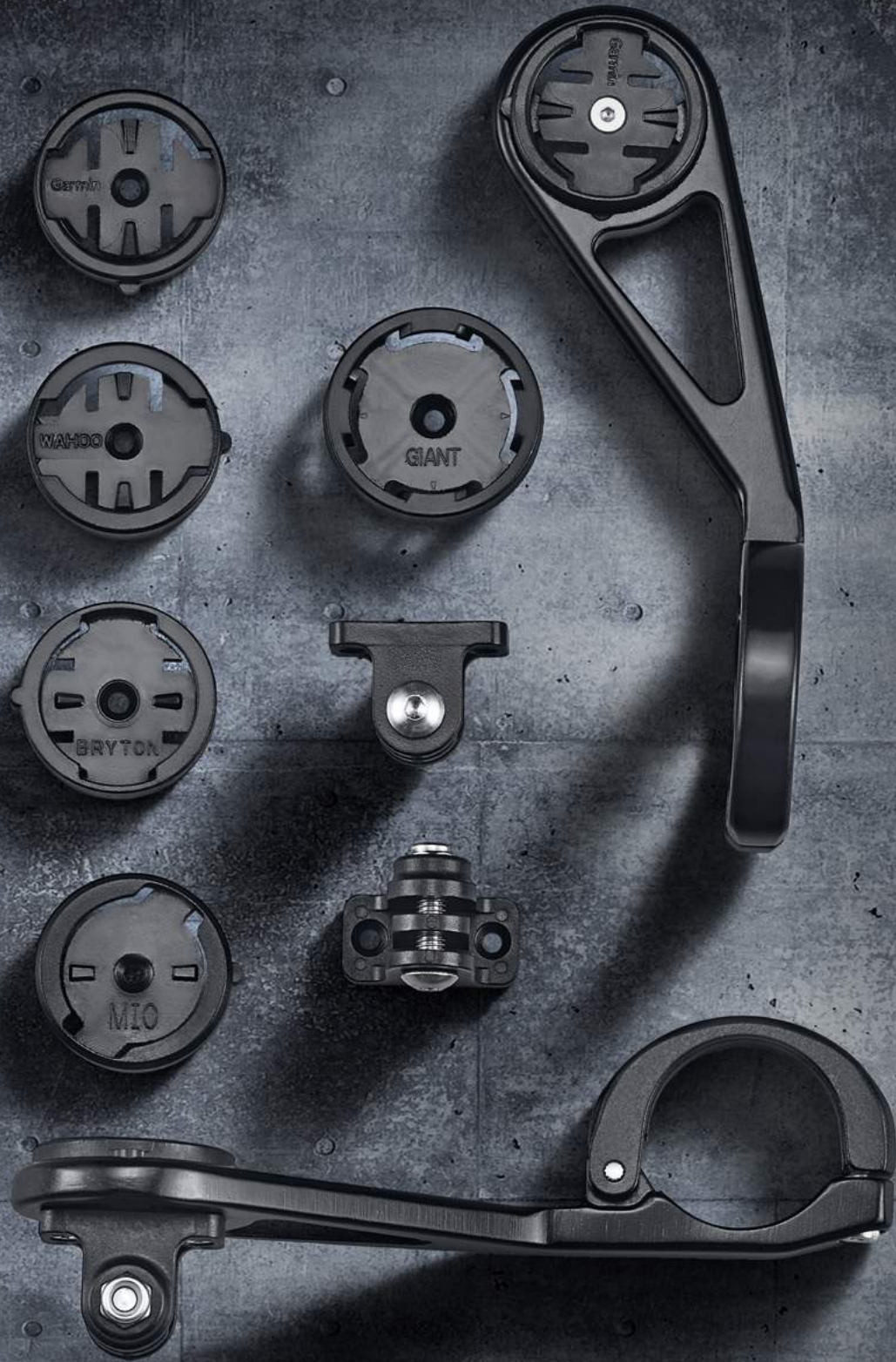
COMPUTER
MOUNTWATER BOTTLE &
CAGE

ACCESSORIES

FITTING
EQUIPMENT

INLINE SKATES

LAI-J
FOLDING CHAIR



COMPUTER MOUNT

SIMPLE & FAST INSTALLATION

Available in different cycling computer and camera / light mount.

AVAILABLE IN DIFFERENT CYCLING COMPUTER AND CAMERA / LIGHT MOUNT

Interchangeable trays:



GM1
(GARMIN Edge®)



Mio2
(MIO® Cyclo™)



BTN3
(Bryton Rider™)



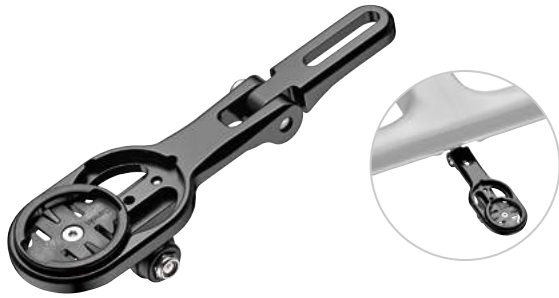
GAT5
(GIANT NEOSTRACK®)



WHO6
(WAHOO ELEMNT®)



GPO7
(GoPro®)



NEW
GMX-MY23

69-01

Computer mount for integrated bar stem.
Main arm angle adjustable.

MATERIAL: AL6061
Not available in Japan



NEW
AC-MTB35

69-02

Clamping type for MTB and cyclocross cycling computer mount.
Place cycling computer above the stem.

MATERIAL: AL6061
SPEC: Clamp Ø34.9mm with SHIM Ø31.8mm



ADP-BCM-P

69-03

For handlebar cycling computer mount.
With removable GoPro® interface.
Simple and fast installation.
CNC bracket, available in interchangeable trays.

MATERIAL: AL6061-T6
WEIGHT: 57g/set



ADP-RSCAP

69-04

P.A.T ED
OPTION: With GoPro® mount (-GO).
CNC bracket, available in interchangeable trays.

SCREW CENTER DISTANCE: 23 - 40mm
ANGLE ADJUSTABLE: 20°
WEIGHT: ADP-RSCAP: 33.5g/set (without adapter)
ADP-RSCAP-GO: 42g/set (without adapter)



QUICK
RELEASE

THRU AXLE

SEAT CLAMP

TOP CAP

HEADSETS
PARTS

CRANK SET

CHAINING
SYSTEM

E-BIKE SYSTEM

ROLLER KIT
SERIES

BMX SERIES

CHAINING
PARTS

CHAIN GUIDE
SYSTEM

BRAKE SYSTEM

SEATPOST

STEM SYSTEM

HANDLEBAR

AEROBAR
SYSTEM

COMPUTER MOUNT

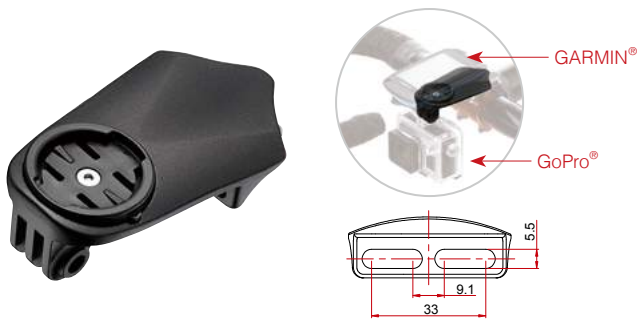
WATER BOTTLE &
CAGE

ACCESSORIES

FITTING
EQUIPMENT

INLINE SKATES

LAI-J
FOLDING CHAIR

**ADP-COMPGR**

70-01

Computer mount of stem from cap.
CNC bracket, available in interchangeable trays.

MATERIAL: AL6061-T6
SCREW CENTER DISTANCE: 13.5-34.5mm
WEIGHT: 40g/set (with out adapter)

**TRI-BR12H**

70-02

Tri-bar link with Computer mount.
CNC bracket, available in interchangeable trays.

Fit TRI-ORG-12H (70-01)
MATERIAL: AL6061-T6 Mount
AL7075-T73 Link
WEIGHT: 61g/set (without adapter)

**AR-GM1**

70-03

Steerer tube type cycling computer mount.
CNC bracket, available in interchangeable trays.

SPEC: For Ø28.6mm steerer tube
Thickness 7mm
LENGTH (Centre-to-Centre): 60mm
ANGEL: -6 degree

**ADP-GM1-TT**

70-04

For Triathlon armrest Ø22.2mm tube.
CNC bracket, available in interchangeable trays.

MATERIAL: AL6061-T6 body
Plastic adapter
WEIGHT: 42.5g/set
(without adapter)

**TK-GM1-DX**

70-05

Top cap cycling computer mount.
CNC bracket, available in interchangeable trays.

MATERIAL: AL6061-T6

**GM-GO (GoPro®)**

70-06

Compatible with GARMIN Edge® interface, for GoPro®
mount.

MATERIAL: Plastic





ADP-INT-GM1
ADP-INT-GM1-CARBON

71-01

Computer mount for integrated bar stem.

MATERIAL: AL6061-T6
CARBON 3K / UD
OPTION: GPO7 mount compatible



STEM-F013-GM1

71-02

CNC bracket, available in interchangeable trays.

MATERIAL: AL6066-T6 stem
AL6061-T6 mount



GM2X-BASE-ST

71-03

GARMIN Edge® cycling computer interface. For in car use, simple and easy to place smart phone in car when use GM1-BASE and any other magnetic phone holder.

MATERIAL: Polycarbonate (PC) / Stainless steel



GM1-BASE

71-04

Compatible with GARMIN Edge® cycling computer interface. Use 3M tape and safety bolts to fit device cover.

MATERIAL: Polycarbonate (PC)
Recommend for indoor bike trainers use.



ADP-GP-X2

71-05

Convert GoPro® mount into double mount.

MATERIAL: AL6061-T6



ADP-SD-GP01

71-06

Standard saddle rail mount for GoPro® camera.

MATERIAL: AL6061-T6
WEIGHT: 38g/set



ADP-GMSP1

71-07

Compatible for GoPro® for Ø31.6 seatpost. With Ø27.2 shim.

MATERIAL: AL6061-T6 body
WEIGHT: 59.5g/set (without adapter)



QUICK RELEASE

THRU AXLE

SEAT CLAMP

TOP CAP

HEADSETS PARTS

CRANK SET

CHAINING SYSTEM

E-BIKE SYSTEM

ROLLER KIT SERIES

BMX SERIES

CHAINING PARTS

CHAIN GUIDE SYSTEM

BRAKE SYSTEM

SEATPOST

STEM SYSTEM

HANDLEBAR

AEROBAR SYSTEM

COMPUTER MOUNT

WATER BOTTLE & CAGE

ACCESSORIES

FITTING EQUIPMENT

INLINE SKATES

LAI-J FOLDING CHAIR



AR-286-EXT / AR-286-EXT-P

72-01

GoPro® interface extension arm.

MATERIAL: AL6061-T6 / Plastic
HIGH: 8mm
EXTENSION ARM LENGTH: 50mm



ADP-GPL

72-02

GoPro® mount convert to light holder.

MATERIAL: AL6061-T6



AR-286-GP1

72-03

GoPro® mount convert to light holder.

MATERIAL: Plastic
HIGH: 8mm
COLOR: As Order
C-C: 70mm

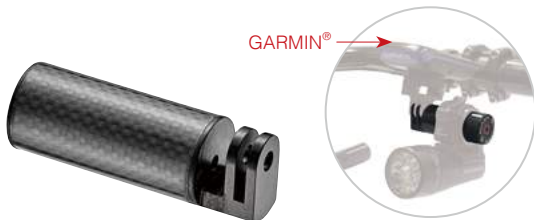


ADP-WM318

72-04

Sport watch mount for handlebar.

MATERIAL: AL6061-T6
 For Ø31.8mm handlebar clamp
WEIGHT: 82g/set



ADP-GP25-12

72-05

GoPro® mount convert extension arm.

MATERIAL: AL6061-T6
 Carbon tube
OPTION: Alloy tube (ADP-GP25-12E)

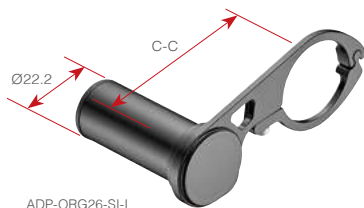


ADP-GP25-02E

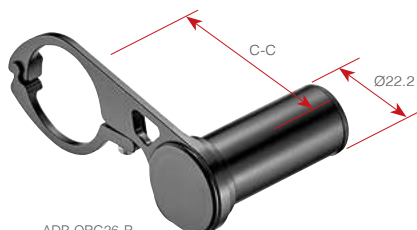
72-06

GoPro® mount screw with extension arm.

MATERIAL: AL6061-T6



ADP-ORG26-SI-L



ADP-ORG26-R

ADP-ORG26-SI-L ADP-ORG26-R

72-07

Single clamp type with alloy extension bar.
 Easy assembly shift on gravel bike.

SPEC: Ø31.8 x Ø22.2mm Extension bar
C-C: 52mm
COLOR: As Order



ADP-3R

73-01

Alloy clamp & tube.

WITH SHIM: R051 (Ø31.8 x Ø25.4mm x 11w)
R056 (Ø31.8 x Ø26mm x 11w)
SPEC: Ø31.8 x Ø22.2mm



ADP-3RC

73-02

Alloy clamp + Carbon tube.

WITH SHIM: R051 (Ø31.8 x Ø25.4mm x 11w)
R056 (Ø31.8 x Ø26mm x 11w)
SPEC: Ø31.8 x Ø22.2mm



NEW

ADP-3RL

73-03

Double alloy clamp with length 200mm tube.
Adjustable clamp spacing.

SPEC: Ø31.8 x Ø22.2mm

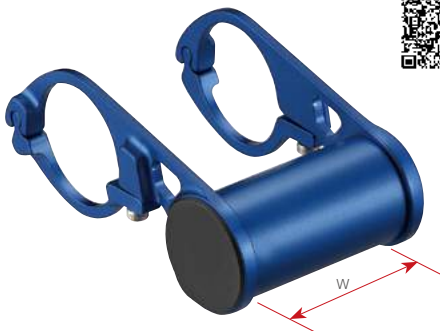


ADP-ORG26

73-04

Create extra space for handlebar.
Double clamp with Carbon tube Ø26mm.

MATERIAL: AL6061-T6
SPEC: Ø31.8mm
W: 46mm / 59mm
WEIGHT: 32g/set (46mm)

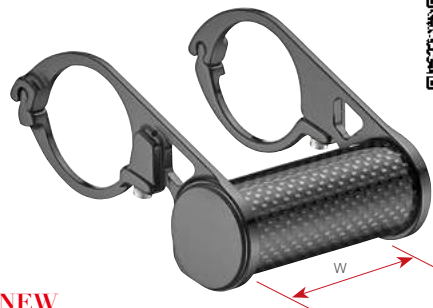


ADP-ORG26-A

73-05

Create extra space for handlebar.
Double clamp with AL6061-T6 tube Ø26mm.

MATERIAL: AL6061-T6
SPEC: Ø31.8mm
W: 46mm / 59mm
WEIGHT: 43g/set (46mm)
COLOR: As Order



NEW

**ADP-ORG26-35
ADP-ORG26-35-A**

73-06

Create extra space for handlebar.
Double clamp with tube Ø26mm.

MATERIAL: AL6061-T6 clamp
ADP-ORG26-35: 3K CARBON tube
ADP-ORG26-35-A: AL6061-T6 tube
SPEC: Ø34.9mm
W: 46mm / 59mm



QUICK
RELEASE

THRU AXLE

SEAT CLAMP

TOP CAP

HEADSETS
PARTS

CRANK SET

CHAINRING
SYSTEM

E-BIKE SYSTEM

ROLLER KIT
SERIES

BMX SERIES

CHAINRING
PARTS

CHAIN GUIDE
SYSTEM

BRAKE SYSTEM

SEATPOST

STEM SYSTEM

HANDLEBAR

AEROBAR
SYSTEM

COMPUTER MOUNT

WATER BOTTLE &
CAGE

ACCESSORIES

FITTING
EQUIPMENT

INLINE SKATES

LAI-J
FOLDING CHAIR



COMPUTER MOUNT



NEW

ADP-KIOX-FBE-31.8 / 34.9

74-01

For new generation KIOX bracket.
Install KIOX display in front of the stem position.

MATERIAL: Nylon

SPEC: For Ø31.8mm / Ø34.9mm handlebar



NEW

ADP-KIOX-FBE-BAR-31.8/34.9

74-02

For new generation KIOX bracket include extension bar
for control unit.

MATERIAL: Nylon

SPEC: For Ø31.8mm / Ø34.9mm handlebar



NEW

ADP-KIOX-MBE-31.8 / 34.9

74-03

For new generation KIOX bracket.
Install KIOX display rear and left of the handlebar
position.

MATERIAL: Nylon

SPEC: For Ø31.8mm / Ø34.9mm handlebar



ADP-KIOX-GR-31.8 / 34.9

75-01

Clamp type computer mount for KIOX on-board computer.

MATERIAL: Nylon
SPEC: For Ø31.8mm / Ø34.9mm handlebar



ADP-KIOX-GRBAR-31.8 / 34.9

75-02

Clamp type computer mount for KIOX on-board computer.

MATERIAL: Nylon
SPEC: For Ø31.8mm / Ø34.9mm handlebar



ADP-KIOX-TOP

75-03

Top cap type computer mount. For Kiox.

MATERIAL: Nylon
SPEC: For Ø28.6mm steerer tube



ADP-KIOX-GR-MB-31.8/34.9

75-04

Clamp type computer mount for KIOX on-board computer.

MATERIAL: Nylon
SPEC: For KIOX mount



ADP-KIOX-BWP

75-05

Clamp type computer mount for Kiox on-board computer. For MTB bike.

MATERIAL: Nylon
SPEC: For Ø31.8mm handlebar clamp



ADP-KIOX-FP

75-06

Clamp type computer mount for Kiox on-board computer. For Road bike / City bike.

MATERIAL: Nylon
SPEC: For Ø31.8mm handlebar clamp



QUICK RELEASE

THRU AXLE

SEAT CLAMP

TOP CAP

HEADSETS PARTS

CRANK SET

CHAINRING SYSTEM

E-BIKE SYSTEM

ROLLER KIT SERIES

BMX SERIES

CHAINRING PARTS

CHAIN GUIDE SYSTEM

BRAKE SYSTEM

SEATPOST

STEM SYSTEM

HANDLEBAR

AEROBAR SYSTEM

COMPUTER MOUNT

WATER BOTTLE & CAGE

ACCESSORIES

FITTING EQUIPMENT

INLINE SKATES

LAI-J FOLDING CHAIR



WATER BOTTLE & CAGE



Extra space for quick-link.



Easy to access bottle sideward or upward.

NEW

WB-R1-20C

77-01

Unique geometric design of the bottle cage keeps the bottle securely in place during aggressive riding situations.

MATERIAL: Carbon composite
WEIGHT: 32g/pcs



WB-R1-17C

77-02

Carbon long fiber with nylon injection.

MATERIAL: Carbon composite
WEIGHT: 30g/pcs



Allow two pieces to be used in combination.
The design adds the advantage of adjustable position.

NEW

WB-UHD-22

77-03

Simply way to carry a Ø20mm tube. Installed under the bottle cage.

MATERIAL: Nylon
WEIGHT: 13g/pcs



WB-EXB1

77-04

CO2 extension mount for water bottle cage.

MATERIAL: AL6061-T6



ADP-SPWB1

77-05

Water bottle cage adapter for seatpost.

MATERIAL: AL6061-T6
SPEC: Ø31.6mm
With shim for Ø31.6mm change to Ø27.2mm



QUICK
RELEASE

THRU AXLE

SEAT CLAMP

TOP CAP

HEADSETS
PARTS

CRANK SET

CHAINRING
SYSTEM

E-BIKE SYSTEM

ROLLER KIT
SERIES

BMX SERIES

CHAINRING
PARTS

CHAIN GUIDE
SYSTEM

BRAKE SYSTEM

SEATPOST

STEM SYSTEM

HANDLEBAR

AEROBAR
SYSTEM

COMPUTER
MOUNT

WATER BOTTLE & CAGE

ACCESSORIES

FITTING
EQUIPMENT

INLINE SKATES

LAI-J
FOLDING CHAIR



WB-TT1

78-01

Clamping the water bottle cage for triathlon bar.
Bundle for easy hold.

MATERIAL: AL6061-T6



WB-DI2-A1

78-02

For SHIMANO® DI2 / Bottle case adp.

MATERIAL: AL6061-T6 full CNC made

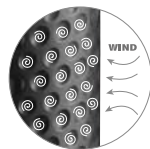
ADP RANGE: 32 - 50mm

WEIGHT: 20.5g/pcs



PRESSURE VALVE CAP

Special valve design allows clean and easy drinking. Open the cap and slightly squeeze the bottle for drinking. No squeezing = no water outflow, even with an open cap.



AERO-DYNAMIC DIMPLE SURFACE

Similar to golfballs, the dimple surface adds additional air penetration for greater aero-dynamics.



CAGE

WB-G201 / WB-G202-E

78-03

WB-G201: Pressure valve cap
(Not available in U.S.A)

WB-G202-E: Standard valve cap

MATERIAL: P.P

VOLUME: 600cc

WEIGHT: 54g/pcs

COLOR: Black, Red, Blue, Apple Green, Orange, Pink, White, Transparent, Yellow

WB-101C / WB-102C / WB-103C

78-04

MATERIAL: Carbon UD finished cage + plastic bottle

VOLUME: (L) 600cc (S) 300cc

WEIGHT: (L) 82.5g (S) 62.5g (Cage) 26g/pcs

OPTION:

WB-101C: Water bottle (L) x 2 + Cage x 1

WB-102C: Water bottle (S) x 2 + Cage x 1

WB-103C: Water bottle (L) x 1 + (S) x 1 + Cage x 1



QUICK
RELEASE

THRU AXLE

SEAT CLAMP

TOP CAP

HEADSETS
PARTS

CRANK SET

CHAINING
SYSTEM

E-BIKE SYSTEM

ROLLER KIT
SERIES

BMX SERIES

CHAINING
PARTS

CHAIN GUIDE
SYSTEM

BRAKE SYSTEM

SEATPOST

STEM SYSTEM

HANDLEBAR

AEROBAR
SYSTEM

COMPUTER
MOUNT

WATER BOTTLE & CAGE

ACCESSORIES

FITTING
EQUIPMENT

INLINE SKATES

LAI-J
FOLDING CHAIR



NEW

WB-G301 / WB-G302-E

79-01

WB-G301: Pressure valve cap

WB-G302-E: Standard valve cap

MATERIAL: P.P

VOLUME: 600cc

WEIGHT: 54g/pcs (WB-G302-E)

COLOR: Black, Red, Blue, Apple Green, Orange, Purple, Pink, White, Transparent Black, Transparent, Yellow, Light Green, Sky Blue, Gold, Gray, Grass Green, Prussian Blue, Lavender, Violet, Rose, Azure



WB-G301



WB-G302-E

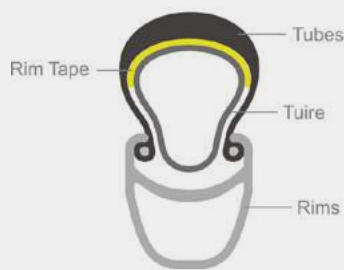
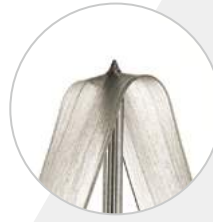
**PU-8705-TP02**

80-01

For Road Bike (700C).

Besides tires and tubes, rim Tape is the third most important factor for puncture protection. The rim tape effectively protects the tube.

SPEC: (W) 20 x (L) 2090mm

**PU-8705-TM01-26**
PU-8705-TM01-29

80-02

For MTB.

Besides tires and tubes, rim Tape is the third most important factor for puncture protection. The rim tape effectively protects the tube against mechanical damage.

SPEC: (W) 31 x (L) 2100mm (TM01-26)
(W) 31 x (L) 2350mm (TM01-29)

**PU-8703T2-100-1500**

80-03

High modulus PU
High puncture
High string through resistance

SPEC: (W) 100 x (L) 1500mm

**PU-8703-T2**

80-04

High modulus PU
High wear resistance
High puncture resistance

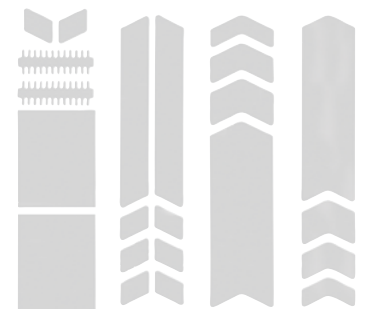
SPEC: (W) 31 x (L) 230mm x 2pcs

**PU-8703-T12**

80-05

High modulus PU
High wear resistance
High puncture resistance

SPEC: 1. (W) 88 x (L) 92mm
2. Ø30 x 30mm x 5pcs
3. Ø50 x 20mm x 5pcs

**NEW****PU-8703-T22**

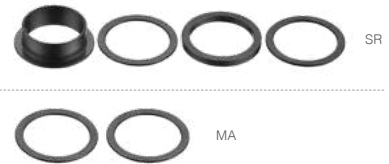
80-06

The function of protector is to provide the best Friction resistance and protection for the frame, it keeps your frame new and clean.

MATERIAL: PVC
SPEC: Top tube protection x1
Down tube protection x1
Chainstay protection x2
Frame or other protection x6
COLOR: Transparent
WEIGHT: 31g



The eccentric-designed B.B allows the user to adjust tension between the chain or belt. That design also allows you to set the appropriate B.B height.



BB-ECT-BB30-MA
BB-ECT-BB30-SR

81-01

Eccentric bottom bracket.

FRAME: Ø42 x 68/73mm
CRANKSET: -MA: Ø24mm axle
-SR: Ø24-22mm axle
MATERIAL: AL6061



BB-ECT-PF30-MA
BB-ECT-PF30-SR

81-02

Eccentric bottom bracket.

FRAME: Ø46 x 68/73mm
CRANKSET: -MA: Ø24mm axle
-SR: Ø24-22mm axle
MATERIAL: AL6061

SPACER	BB-ECT-PF30-MA (for SHIMANO® crankset)	BB-ECT-PF30-SR (for SRAM® crankset)
3mm	N/A	1pcs
2.5mm	2pcs	2pc
Ø22xØ24	N/A	1pc



ADP-BB-51

81-03

USA BB to EURO BB adapter.

MATERIAL: AL6061-T6



QUICK
RELEASE

THRU AXLE

SEAT CLAMP

TOP CAP

HEADSETS
PARTS

CRANK SET

CHAINRING
SYSTEM

E-BIKE SYSTEM

ROLLER KIT
SERIES

BMX SERIES

CHAINRING
PARTS

CHAIN GUIDE
SYSTEM

BRAKE SYSTEM

SEATPOST

STEM SYSTEM

HANDLEBAR

AEROBAR
SYSTEM

COMPUTER
MOUNT

WATER BOTTLE &
CAGE

ACCESSORIES

FITTING
EQUIPMENT

INLINE SKATES

LAI-J
FOLDING CHAIR



TL-1544-N2

82-01

MATERIAL: Hardened stainless steel
High polish finished
SPEC: 15mm nut / locking (OD Ø42 - Ø44)
WEIGHT: 79.5g/pcs



M-FX-F

M-FX-R

M-FX-F / M-FX-R

82-02

For fixed gear axle.

MATERIAL: AL7075-T651
SPEC: M9 x 1.0, M10 x 1.0
LENGTH: 14mm, 18mm



Red Blue Gold Green

M-FXS

82-03

For fixed gear axle.

MATERIAL: Steel heat treated
SPEC: M9 x 1.0, M10 x 1.0
LENGTH: 14.6mm
OPTION: Surface ED finished



ADP-HUB-1509 ADP-HUB-1209

82-04

MATERIAL: Cr-Mo heat treated
ADP-HUB-1509:
Adapter for Ø15mm hub axle change to Ø5mm axle
ADP-HUB-1209:
Adapter for Ø12mm hub axle change to Ø5mm axle



SHIM-R051 SHIM-R056

82-05

With flange.

SPEC: R051 (Ø31.8 x Ø25.4mm)
R056 (Ø31.8 x Ø26mm)
H: 50mm or As Order



SHIM-11 / SHIM-21

82-06

Custom request available.

SPEC: SM11 (Ø31.8 x Ø25.4mm)
SM21 (Ø28.6 x Ø25.4mm)
H: 50mm



SHIM-21S

82-07

Custom request available.

SPEC: Ø28.6 x Ø25.4mm
H: 40mm



TIP-4 / TIP-5

82-08

Rubber cover helps prevent dust and water.

MATERIAL: Nylon
SPEC: 4mm, 5mm
COLOR: Black, Clean, Red, Blue, Purple, Green



1257A

82-09

Front cable hanger.

SPEC: With tube Ø25.4, Ø28.6
COLOR: Black & Silver

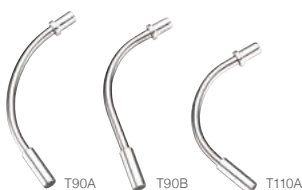


1257B

82-10

Barrel finish / Front cable hanger.

SPEC: With adjustable-screw
Steering tube Ø25.4, Ø28.6
COLOR: Black & Silver



T90A / T90B / T110A

82-11

Stainless tube for V-brake.



1244A

82-12

MATERIAL: AL6061-T6



UTX-2628

82-13

For 26" frame change to 28" tire. Not available in Japan.

MATERIAL: AL6061-T6 CNC made



1270-L-F

1270-F-B

1270-F-A

1270-L-F / 1270-F-B / 1270-F-A

83-01

Cable hanger (bend tube) with adjustable screw. / Cold forged.

SPEC: Ø28.6mm Front
LONG-LEG: 34mm
COLOR: Black, Silver



QUICK RELEASE

THRU AXLE

SEAT CLAMP

TOP CAP

HEADSETS PARTS

CRANK SET

CHAINRING SYSTEM

E-BIKE SYSTEM

ROLLER KIT SERIES

BMX SERIES

CHAINRING PARTS

CHAIN GUIDE SYSTEM

BRAKE SYSTEM

SEATPOST

STEM SYSTEM

HANDLEBAR

AEROBAR SYSTEM

COMPUTER MOUNT

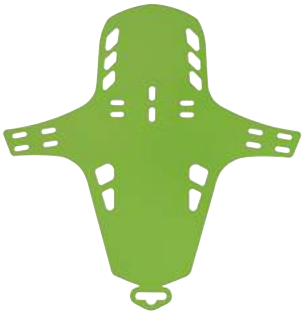
WATER BOTTLE & CAGE

ACCESSORIES

FITTING EQUIPMENT

INLINE SKATES

LAI-J FOLDING CHAIR

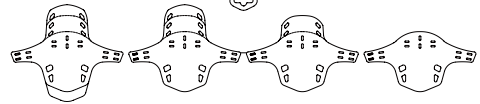
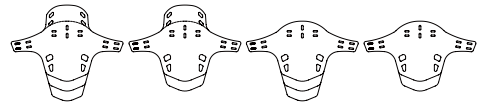


MG-PF15

83-02

Durable, all-weather polypropylene material Smart-Fix construction for quick removal. For front fork.

MATERIAL: Polypropylene (PP)
THICKNESS: 0.8mm
COLOR: Black, Apple Green, Orange, Red, White, Yellow
If need zip tape will upcharge



MG-PR17

83-03

Durable, all-weather polypropylene material Smart-Fix construction for quick removal. For front fork.

MATERIAL: Polypropylene (PP)
THICKNESS: 1.2mm
COLOR: Black

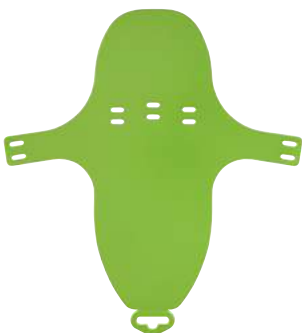


MG-PF27

83-04

Durable, all-weather polypropylene material Smart-Fix construction for quick removal. For saddle rail.

MATERIAL: Polypropylene (PP)
THICKNESS: 1.2mm
COLOR: Black



MG-PR02

83-05

Durable, all-weather polypropylene material Smart-Fix construction for quick removal. For front fork.

MATERIAL: Polypropylene (PP)
THICKNESS: 0.8mm
COLOR: Black, Apple Green, Orange, Red, White, Yellow



NOT AVAILABLE IN EURO



MG-PF12

83-06

Durable, all-weather polypropylene material Smart-Fix construction for quick removal. For saddle rail.

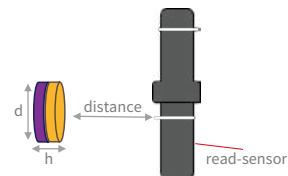
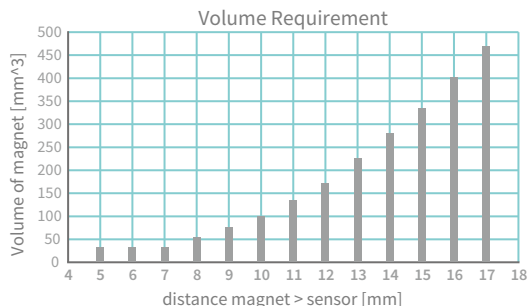
MATERIAL: Polypropylene (PP)
THICKNESS: 0.8mm
COLOR: Black, Apple Green, Orange, Red, White, Yellow



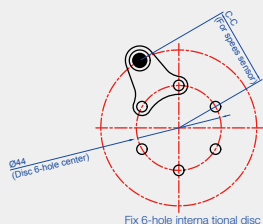
NOT AVAILABLE IN U.S.A



Property	Specification
Remanence	>1.3T
Polarization	Towards Sensor
Dimensions	Thickness > 0.5 x Diameter (h > 0.5 d) Diameter > Thickness (d > h)
Volume*	$V = \pi \times h \times (d / 2)^2$ Depending



▶ 6-Bolt Magnet



ADP-SHE8-1S



ADP-SHE8-2S



ADP-SHE8-3S



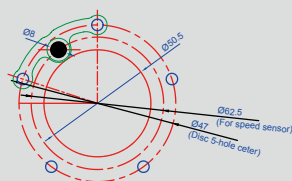
ADP-SHE8-W56S



ADP-SHE8-W60S

▶ 5-Bolt Magnet

Fix SM-RTC60

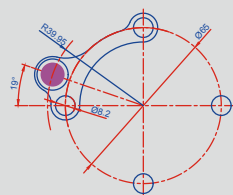


ADP-SHE8-P74S

SHIMANO® SM-RTC60:
5-hole disc with 74mm pitch circle diameter.
SHIMANO® SG-C9051-80D:
5-hole disc with 74mm pitch circle diameter.

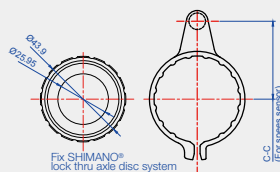
▶ 4-Bolt Magnet

Fix Rohloff Spec



ADP-SHE8-RHMS

▶ Center Lock Magnet



ADP-M-SHE8-32CS



ADP-M-SHE8-40CS



ADP-SHE8-P74S

84-01

For E-bike speed sensor adapter, can fix SHIMANO® SM-RTC60.

MATERIAL: Stainless washer with N45 SH magnet
SPEC: C-C 40mm

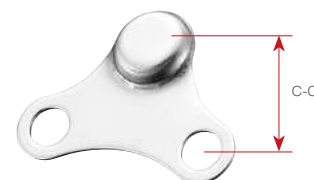


ADP-SHE8-RHMS

84-02

E-bike speed sensor adapter of rohloff speed hub E14.

MATERIAL: Stainless washer with N45 SH magnet
SPEC: C-C 40mm



ADP-SHE8-1S
ADP-SHE8-2S / ADP-SHE8-3S
ADP-SHE8-W56S
ADP-SHE8-W60S

84-03

For E-bike speed sensor adapter.

MATERIAL: Stainless washer with N45 SH magnet
SPEC:

ADP-SHE8-1S: C-C 32mm with 1mm magnet
ADP-SHE8-2S: C-C 32mm with 2mm magnet
ADP-SHE8-3S: C-C 40mm with 2mm magnet
ADP-SHE8-W56S: C-C 56mm with 2mm magnet
ADP-SHE8-W60S: C-C 60mm with 2mm magnet



ADP-SHE8-WS

85-01

Washer of SHIMANO® disc rotor.

MATERIAL: Stainless steel
THICKNESS: 0.5mm



ADP-SHE8-HS

85-02

For E-bike speed sensor adapter.

MATERIAL: Stainless washer with N45 SH magnet
SPEC: C-C 32mm with 1mm magnet



ADP-M-SHE8-32CS
ADP-M-SHE8-40CS

85-03

Locking adapter for E-bike speed sensor.

MATERIAL: AL6061 washer with N45 SH magnet

SPEC:
ADP-M-SHE8-1: C-C 32mm with 2mm magnet
ADP-M-SHE8-2: C-C 40mm with 2mm magnet



ADP-SH2

85-04

SHIMANO® center-lock disc hub adapter

Stainless steel washer with alloy nut



ADP-SH1

85-05

SHIMANO® center-lock disc hub adapter

Stainless steel washer with alloy nut



ADP-SH1220

85-06

SHIMANO® center-lock 12 / 20mm thru-axle disc hub adapter. With alloy locking (M-SH3611)

OPTION: Cr-Mo lock ring (M-SH1521-CR)



ADP-DISC-SH-F

85-07

Center lock system. With alloy locking. Front 15mm boost hub adapter for 100mm transform to 110mm hub.



ADP-DISC-SH-R

85-08

Center lock system. With alloy locking. Rear 12mm boost hub adapter for 142mm transform to 148mm hub.



ADP-DISC-R6

85-09

Rear 12mm boost hub adapter for 142mm transform to 148mm hub.



ADP-DISC-F

85-10

Front 15mm boost hub adapter for 100mm transform to 110mm hub.



QUICK RELEASE

THRU AXLE

SEAT CLAMP

TOP CAP

HEADSETS PARTS

CRANK SET

CHAINRING SYSTEM

E-BIKE SYSTEM

ROLLER KIT SERIES

BMX SERIES

CHAINRING PARTS

CHAIN GUIDE SYSTEM

BRAKE SYSTEM

SEATPOST

STEM SYSTEM

HANDLEBAR

AEROBAR SYSTEM

COMPUTER MOUNT

WATER BOTTLE & CAGE

ACCESSORIES

FITTING EQUIPMENT

INLINE SKATES

LAI-J FOLDING CHAIR

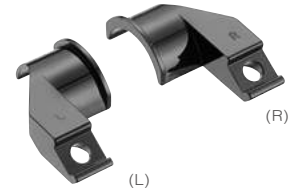


NEW
EV-CLAMP-21

86-01

Shifter (shift lever) I-SPEC-EV mount.

MATERIAL: AL6061-T6
Compatibility handlebar: 22.2mm
Compatibility shift lever: SHIMANO®



ADP-ISPEC2

86-02

SHIMANO® disc brake lever can fit SRAM® shift lever.

MATERIAL: AL6061-T6
WEIGHT: 16.2g/set

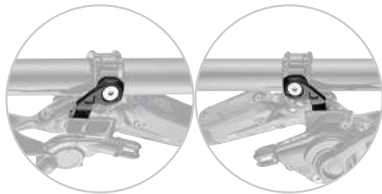


NEW
ADP-EVMX22

86-03

Adapter for SRAM disc brake lever to SHIMANO shift lever with screw and nut.

MATERIAL: Forged AL6061T6
SPEC: SRAM MMX system to SHIMANO I-SPEC-EV system
COLOR: Sand blast black

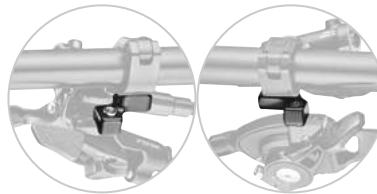


ADP-ISPEC-EV

86-04

SHIMANO® disc brake lever can fix SRAM® shift lever. With special screw and nut.

MATERIAL: AL6061 -T6
SPEC: I-SPEC-EV

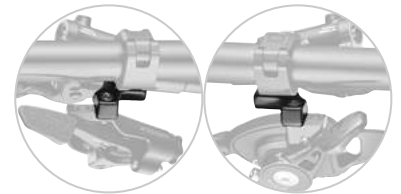


ADP-ISPEC-EV-21

86-05

SHIMANO® disc brake lever can fix SRAM® shift lever. With special screw and nut. **Left & right same angle.**

MATERIAL: AL6061 -T6
SPEC: I-SPEC-EV



CL-STEMDR1

86-06

Down tube shifter mount to stem tube.

SPEC: Ø28.6, Ø22.2
Fit SHIMANO® 9 speed & 10 speed



CL-HBDR1

86-07

Down tube shifter mount to handlebar.

SPEC: Clamp Ø26 with Ø24 & Ø22.2 Shim
Fit SHIMANO® 9 speed & 10 speed



CL-DTDR1

86-08

Down tube shifter mount.

SPEC: Ø31.8 (With Ø28.6 Shim)
Fit SHIMANO® 9 speed & 10 speed



CS-29A

86-09

CS-29 adapter
CS-29L for two cable
OPTION: With electric tip



CS-38 / CS-38B

86-10

Cable adjustable.
MATERIAL: AL6061-T6



14T

12T

PUL-SR-EG1214

87-01

Fix SRAM® X01 Eagle pulley.

MATERIAL: AL7075 CNC made
TEETH: 12T upper / 14T bottom
BEARING OPTION:
 With 607R
 Cr-Mo steel seal bearing
 Ceramic ball seal bearing



PUL-SH-1313

87-02

MATERIAL: AL7075 CNC made
TEETH: 13T
BEARING OPTION:
 With 607R
 Cr-Mo steel seal bearing
 Ceramic ball seal bearing



PUL-J1-13

87-03

For SHIMANO® 1x12 speed,
 with Cr-Mo steel bearing.

MATERIAL: Nylon
TEETH: 13T



PUL-P13-E

87-04

For SHIMANO® 1x12 speed.

MATERIAL: Nylon
TEETH: 13T



PUL-75W1

87-05

The wave shape design increases contact
 surface.
 Not for chain connectors.

MATERIAL: AL7075-T651 CNC made
TEETH: 11T
BEARING OPTION:
 Cr-Mo steel seal bearing
 Ceramic ball seal bearing
 Customized design CNC parts available



PUL-10

87-06

MATERIAL: AL6061 CNC made
BEARING OPTION:
 With 607R
 Cr-Mo steel seal bearing
 Ceramic ball seal bearing
TEETH: 10T



PUL-75C5

87-07

MATERIAL: AL7075-T651 CNC made
TEETH: 11T
BEARING OPTION:
 Cr-Mo steel seal bearing
 Ceramic ball seal bearing
 Customized design CNC parts available
OPTION: 12T / 13T / 14T / 15T



PUL-02

87-08

MATERIAL: AL6061
BEARING OPTION:
 With 607R
 Cr-Mo steel seal bearing
 Ceramic ball seal bearing
TEETH: 10T



PUL-75C1

87-09

MATERIAL: AL7075-T651 CNC made
TEETH: 11T
BEARING OPTION:
 Cr-Mo steel seal bearing
 Ceramic ball seal bearing
 Customized design CNC parts available
OPTION: 12T / 13T / 14T / 15T



PUL-110

87-10

MATERIAL: AL6061 CNC made
BEARING OPTION:
 With 607R
 Cr-Mo steel seal bearing
 Ceramic ball seal bearing
TEETH: 11T



PUL-P11

87-11

MATERIAL: Nylon
TEETH: 11T



PUL-140

87-12

MATERIAL: AL6061
BEARING OPTION:
 With 607R
 Cr-Mo steel seal bearing
 Ceramic ball seal bearing
TEETH: 14T



QUICK
RELEASE

THRU AXLE

SEAT CLAMP

TOP CAP

HEADSETS
PARTS

CRANK SET

CHAINRING
SYSTEM

E-BIKE SYSTEM

ROLLER KIT
SERIES

BMX SERIES

CHAINRING
PARTS

CHAIN GUIDE
SYSTEM

BRAKE SYSTEM

SEATPOST

STEM SYSTEM

HANDLEBAR

AEROBAR
SYSTEM

COMPUTER
MOUNT

WATER BOTTLE &
CAGE

ACCESSORIES

FITTING
EQUIPMENT

INLINE SKATES

LAI-J
FOLDING CHAIR

**M5A10K**

88-01

Special shape of the screw which can cover the bottle cage hole on the frame.

MATERIAL: AL7075
SPEC: M5 x 0.8
LENGTH: 10mm
MAX: 6N.m
WEIGHT: 1.4g/pcs

**M517-F**

88-02

For water bottle cage.

MATERIAL: AL7075 forged
SPEC: M5 x 0.8
LENGTH: 12mm or 16mm
COLOR: As Order
MAX: 6N.m
OPTION: Torx 25 available
WEIGHT: 1g/pcs (12mm)

**M630-F**

88-03

For top cap.

MATERIAL: AL7075-T73
SPEC: M6 x 1.0
LENGTH: 30mm
COLOR: As Order
WEIGHT: 2.8g/pcs

**M512 / M515
M517**

88-04

For water bottle cage.

MATERIAL: AL7075 CNC made
SPEC: M5 x 0.8
LENGTH: 12mm / 15mm / 17mm
MAX: 6N.m
WEIGHT: 1.3g/pcs

**MCK-10**

88-05

Chainring bolt.

MATERIAL: AL7075 CNC made
W: 5mm or 7mm
OPTION: 1. Torx 30 available
 2. AR-12 x 10 (H: 2.5mm)
WEIGHT: 2g (5mm)

**M103**

88-06

Pivot nut for frame.

SPEC: M10 x 1.0
OPTION: M103E (M10 x 1.25)

**M083**

88-07

Pivot nut for front fork.

SPEC: M8 x 1.25

**PLUG-IST-P01-MTB**

88-08

Expander end cap for MTB.
 For handlebar ID: Ø17 - Ø21mm.
 (T: 2.6 - 0.6mm)

MATERIAL:
 Plastic body with stainless screw

**PLUG-IST-P01-RC**

88-09

Expander end cap for Road bike.
 For handlebar ID: Ø17 - Ø21mm.
 (T: 2.6 - 0.6mm)

MATERIAL:
 Plastic body with stainless screw

**PLUG-PAN015**

88-10

CNC bar end cap for Road bike.

MATERIAL: AL6061-T6 cap & silicone insert
WEIGHT: 37.5g/set
 Not available in Japan

**PLUG-12 / PLUG-13**

88-11

For MTB & BMX bike.

MATERIAL: AL6061-T6
SPEC: Ø22.2

**PLUG-24C**

88-12

For Road bike.

MATERIAL: Plastic & Carbon fiber
SPEC: Ø22.2

**ADP-FAPOST**

88-13

Flat mount to post mount adapter.

MATERIAL: AL6061-T6
WEIGHT: 33g/pcs

**ADP-FA1416**

88-14

For mounting SHIMANO® flat mount calipers on flat mount fork.

MATERIAL: AL6061-T6
 Fits 140mm / 160mm rotor

**ADP-FA-R16**

88-15

For mounting SHIMANO® flat mount calipers on flat mount frame.

MATERIAL: AL6061-T6
 Fits 160mm rotor

Post mount disc brake adapter SPEC list:

ITEM / SPEC	140-160mm	160-180mm	160-203mm	160-220mm	180-203mm	203-220mm
ADP-PM1622				•		
ADP-PM1820					•	
ADP-PM20-220						•
ADP-STD1618		•				
ADP-PM1618	•	•				
ADP-PM1620			•			



NEW
ADP-FA-P16

89-01

For flat mount fork adapter to post mount caliper.

MATERIAL: AL 6061-T6
SPEC: For 160m/m rotor



NEW
ADP-RFA-P14

89-02

For flat mount frame adapter to post mount caliper.

MATERIAL: AL 6061-T6
SPEC: For 140m/m rotor



NEW
ADP-RFA-P16

89-03

For flat mount frame adapter to post mount caliper.

MATERIAL: AL 6061-T6
SPEC: For 160m/m rotor



NEW
ADP-RFA-P18

89-04

For flat mount frame adapter to post mount caliper.

MATERIAL: AL 6061-T6
SPEC: For 180m/m rotor



ADP-PM1622

89-05

Post mount disc brake adapter. Adapter for 160mm to 220mm disc rotor.

MATERIAL: AL6061-T6
POST MOUNT: 74mm



ADP-PM1820

89-06

Post mount disc brake adapter. Adapter for 180mm to 203mm disc rotor.

MATERIAL: AL6061-T6
POST MOUNT: 74mm
WEIGHT: 14g/pcs



ADP-PM20-220

89-07

Post mount disc brake adapter. Adapter for 203mm to 220mm disc rotor.

MATERIAL: AL6061-T6
POST MOUNT: 74mm

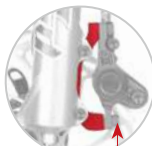


ADP-STD1618

89-08

Post mount disc brake adapter. Adapter for 160mm to 180mm disc.

MATERIAL: AL6061-T6
WEIGHT: 18.5g/pcs



Disc 180mm



ADP-PM1618

89-09

Post mount disc brake adapter. Adapter for 140mm to 160mm / 160mm to 180mm disc.

MATERIAL: AL6061-T6
POST MOUNT: 74mm
WEIGHT: 10.5g/pcs



Disc 180mm



ADP-PM1620

89-10

Post mount to post mount for 203mm rotor only. Adapter for 160mm rotor to 203mm disc.

MATERIAL: AL6061-T6
POST MOUNT: 74mm
WEIGHT: 23g/pcs



ACCESSORIES

QUICK RELEASE

THRU AXLE

SEAT CLAMP

TOP CAP

HEADSETS PARTS

CRANK SET

CHAINING SYSTEM

E-BIKE SYSTEM

ROLLER KIT SERIES

BMX SERIES

CHAINING PARTS

CHAIN GUIDE SYSTEM

BRAKE SYSTEM

SEATPOST

STEM SYSTEM

HANDLEBAR

AEROBAR SYSTEM

COMPUTER MOUNT

WATER BOTTLE & CAGE

FITTING EQUIPMENT

INLINE SKATES

LAI-J FOLDING CHAIR



PU-TLR

90-01

For tubeless ready rims tape.

MATERIAL: PET
SPEC: 19mm x 50M
 22mm x 50M
 33mm x 50M



NEW

NZ-TUSH-F

90-02

The multi-vent valve allows users to pump up tyres quickly and also works with most the foam-inserted tubeless tyres.

MATERIAL: AL6061-T6 with NBR taper cone spacer
SPEC: Presta valve
LENGTH: 47, 52, 62, 72, 87, 107mm



NZ-TUS-F

90-03

Tubeless valve.

MATERIAL: AL6061 with NBR tapped spacer
SPEC: Presta valve
LENGTH: 40, 45, 60, 70mm
 With NZ-CN5



NZ-GH

90-04

Tubeless valve (removable type) extender, can easily fixed by outer threaded nut.

MATERIAL: AL6061
SPEC: Tubeless Valve
LENGTH: 40, 60mm
OPTION: NZ-HF-TL



NZ-TL-TUS

90-05

Valve tool.

MATERIAL: Nylon, Alloy
COLOR: Black



NZ-CN5

90-06

Tubeless Valve cap.

MATERIAL: Nylon
SPEC: Presta Valve



NZ-AMTUS-F

90-07

Tubeless Valve for USA valve.

MATERIAL: AL6061 with NBR tapered spacer
SPEC: USA Valve
LENGTH: 40mm



NZ-NUT5

90-08

Special nut for tubeless presta valve, compatible with NZ-TL-TUS.

MATERIAL: AL6061
COLOR: BK
WITH: O-ring

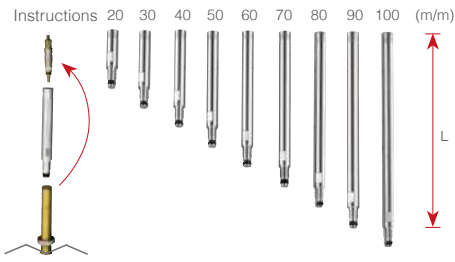


Tubeless SET

90-09

Tubeless ready kit contains everything you need to complete your tubeless set-up.

SPEC: RIM TAPE (PU-TLR) x 1 roll
 WIDTH OPTION: 19mm x 50M / 22mm x 50M / 33mm x 50M
 TUBELESS VALVE (NZ-TUS-F) x 2 pcs
 LENGTH OPTION: 40mm / 45mm / 60mm / 70mm
 VALVE TOOL (NZ-TL-TUS) x 1 pcs
 VALVE CAP (NZ-CN5) x 2 pcs
OPTION: NZ-GH



NZ-HF

91-01

MATERIAL: AL6061-T6
SPEC: Presta valve
LENGTH: 20 - 100mm
OPTION: NZ-HF-TL



NZ-HFCO

91-02

MATERIAL: AL6061 with nylon O-ring
SPEC: Presta valve
LENGTH: 40 - 100mm
OPTION: NZ-HF-TL



NZ-FCO

91-03

MATERIAL: AL6061 with nylon O-ring
SPEC: Presta valve
LENGTH: 40 - 100mm



NZ-VF

91-04

Vittoria® tire valve extension.
MATERIAL: AL6061-T6
LENGTH: 30, 40, 50, 60, 70mm
OPTION: NZ-HF-TL



NZ-F

91-05

MATERIAL: AL6061-T6
SPEC: Presta valve
LENGTH: 25, 38, 50 - 100mm



NZ-HF-TL

91-06

Valve tool.
MATERIAL: AL6061
COLOR: As Order



ADP-CO2-A1

91-07

Fits presta & USA valve without adapter. The simple threaded valve allows easy inflation.

MATERIAL: AL6061-T6 full CNC made



NZ-DISC

91-08

MATERIAL: AL6061-T6
SPEC: Disc wheel 90 degree adapter



NZ-UF

91-09

MATERIAL: Copper or AL6061-T6
SPEC: Presta change to USA valve



NZ-KUF

91-10

With key ring.
MATERIAL: Copper or AL6061-T6
SPEC: Presta change to USA valve

QUICK RELEASE

THRU AXLE

SEAT CLAMP

TOP CAP

HEADSETS PARTS

CRANK SET

CHAINRING SYSTEM

E-BIKE SYSTEM

ROLLER KIT SERIES

BMX SERIES

CHAINRING PARTS

CHAIN GUIDE SYSTEM

BRAKE SYSTEM

SEATPOST

STEM SYSTEM

HANDLEBAR

AEROBAR SYSTEM

COMPUTER MOUNT

WATER BOTTLE & CAGE

ACCESSORIES

FITTING EQUIPMENT

INLINE SKATES

LAI-J FOLDING CHAIR



NZ-01

92-01

MATERIAL: AL6061-T6
SPEC: USA valve



NZ-B5-WE

92-02

MATERIAL: AL6061-T6
SPEC: Presta valve



NZ-B1

92-03

MATERIAL: AL6061-T6
SPEC: USA valve



NZ-B2

92-04

MATERIAL: AL6061-T6
SPEC: USA valve



NZ-B3

92-05

MATERIAL: AL6061-T6
SPEC: USA valve



NZ-B4F

92-06

MATERIAL: AL6061-T6
SPEC: Presta valve



NZ-KULO

92-07

MATERIAL: Nylon plastic
SPEC: USA valve



NZ-KN

92-08

MATERIAL: Nylon plastic
SPEC: USA valve



NZ-18

92-09

MATERIAL: AL6061-T6
SPEC: USA valve



NZ-B6

92-10

MATERIAL: AL6061-T6
SPEC: USA valve



NZ-08

92-11

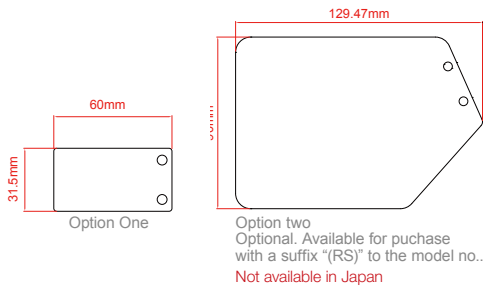
MATERIAL: AL6061-T6
SPEC: USA valve



NZ-FT

92-12

MATERIAL: AL6061-T6
SPEC: USA valve



Can be adjusted



For aero seatpost

NAME-AER017 (RS)

93-01

With bolt.
For easy drill card hold.
For aero seatpost.

WEIGHT: 14g/set



NAME-P (RS)

93-02

With bolt.
For easy drill card hold.

WEIGHT: 15g/set

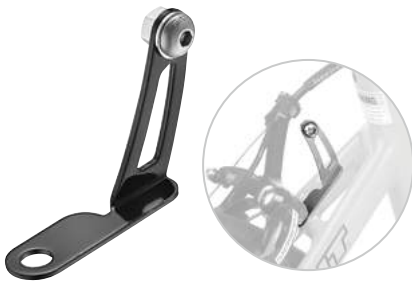


NAME-AERO (RS)

93-03

Special design available.

WEIGHT: 12.5g/set



NAME-P-02

93-04

Number holders.

MATERIAL: SUS 304
COLOR: Raw finished / E.D Black
WEIGHT: 11g/pcs



WG-24F

93-05

Cold forged.

MATERIAL: AL6061-T6
SPEC: Ø31.8mm, Ø34.9mm
COLOR: As Order



RS-MINI BAR

93-06

Create an additional hand position on the handlebar.
Minimizes hand numbness, carpal and ulnar issues.

MATERIAL: Carbon with nylon
WEIGHT: 17.8g/set



1269SP

1269SA

1269SP / 1269SA

93-07

Cycle cross seattube.
Front derailleur cable adapter.

OPTION: SP Nylon roller
SA Alloy roller



CS-28

93-08

MATERIAL: AL6061-T6
Caliper brake quick release lever
Micro adjustable cable tensioner
Release distance 4mm
Improve alloy body and plastic strength already



QUICK RELEASE

THRU AXLE

SEAT CLAMP

TOP CAP

HEADSETS PARTS

CRANK SET

CHAINING SYSTEM

E-BIKE SYSTEM

ROLLER KIT SERIES

BMX SERIES

CHAINING PARTS

CHAIN GUIDE SYSTEM

BRAKE SYSTEM

SEATPOST

STEM SYSTEM

HANDLEBAR

AEROBAR SYSTEM

COMPUTER MOUNT

WATER BOTTLE & CAGE

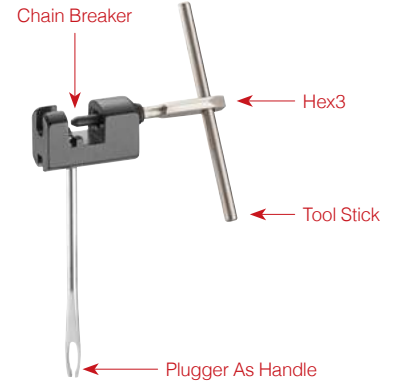
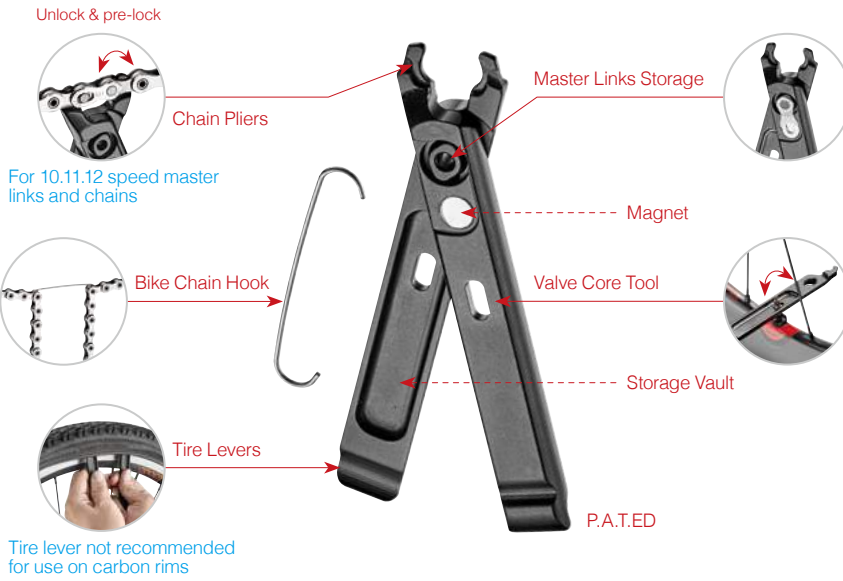
ACCESSORIES

FITTING EQUIPMENT

INLINE SKATES

LAI-J FOLDING CHAIR

► TL-101-1 Features: Combo pliers content



► TL-102-1 Features: Tubeless repair kit



Chain breaker

P.A.T.E.D

Front

Back

NEW TL-500

94-01

End cap style storage for MTB alloy handle bar.

COMBO PLIER FEATURES:

Master link tool / Master link storage / Valve core tool / Tire lever / Bike chain hook / Storage vault
Patent in multiple countries

MATERIAL: Forged alloy and CNC machined

WEIGHT: 38.5g

TUBELESS REPAIR KIT CONTENT:

Reamer / Plugger / Tire seal strip

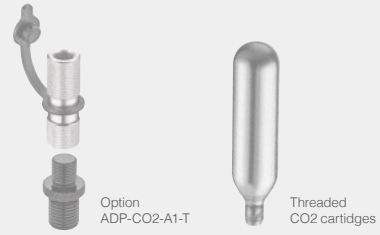
6 PCS BITS CONTENT:

Hex3 / 4 / 5 / 6 / PH1 / T25 with tool stick





Compatible with the CO2 Cartridge or the ADP-CO2-A1-T / ADP-CO2-A1-C (optional).



QUICK RELEASE

THRU AXLE

SEAT CLAMP

TOP CAP

HEADSETS PARTS

CRANK SET

CHAINRING SYSTEM

E-BIKE SYSTEM

ROLLER KIT SERIES

BMX SERIES

CHAINRING PARTS

CHAIN GUIDE SYSTEM

BRAKE SYSTEM

SEATPOST

STEM SYSTEM

HANDLEBAR

AEROBAR SYSTEM

COMPUTER MOUNT

WATER BOTTLE & CAGE

ACCESSORIES

FITTING EQUIPMENT

INLINE SKATES

LAI-J FOLDING CHAIR



NEW
TL-102

Front Back

95-01

Storage tube.

TUBELESS REPAIR KIT CONTENT:
Reamer / Plugger / Tire seal strip
6 PCS BITS CONTENT:
Hex3 / 4 / 5 / 6 / PH1 / T25 with tool stick



NEW
TL-101

P.A.T.ED

95-02

Storage tube.

COMBO PLIER FEATURES:
Master link tool / Master link storage / Valve core tool / Tire lever / Bike chain hook / Storage vault
Patent in multiple countries
MATERIAL: Forged alloy and CNC machined



P.A.T.ED

Front Back

NEW
TL-600

95-03

Multi tool storage tube with CO2 cartridges thread.

COMBO PLIER FEATURES:
Master link tool / Master link storage / Valve core tool / Tire lever / Bike chain hook / Storage vault
Patent in multiple countries
MATERIAL: Forged alloy and CNC machined
WEIGHT: 38.5g
TUBELESS REPAIR KIT CONTENT:
Reamer / Plugger / Tire seal strip
6 PCS BITS CONTENT:
Hex3 / 4 / 5 / 6 / PH1 / T25 with tool stick



P.A.T.ED

Front Back

NEW
TL-700

95-04

Multi tool storage tube with CO2 cartridges thread. compatible ADP-CO2-A1-T.
Include tube holder WB-UHD-22 for two pieces.

COMBO PLIER FEATURES:
Master link tool / Master link storage / Valve core tool / Tire lever / Bike chain hook / Storage vault
Patent in multiple countries
MATERIAL: Forged alloy and CNC machined
WEIGHT: 38.5g
TUBELESS REPAIR KIT CONTENT:
Reamer / Plugger / Tire seal strip
6 PCS BITS CONTENT:
Hex3 / 4 / 5 / 6 / PH1 / T25 with tool stick



**NEW****TL-750**

96-01

Multi tool storage tube with CO2 cartridges thread. compatible ADP-CO2-A1-T. Include tube holder WB-UHD-22 for two pieces and end cap style storage TL-501 for MTB alloy handle bar.

COMBO PLIER FEATURES:

Master link tool / Master link storage / Valve core tool / Tire lever / Bike chain hook / Storage vault
Patent in multiple countries

MATERIAL: Forged alloy and CNC machined

WEIGHT: 38.5g

TUBELESS REPAIR KIT CONTENT:

Reamer / Plugger / Tire seal strip

6 PCS BITS CONTENT:

Hex3 / 4 / 5 / 6 / PH1 / T25 with tool stick

**NEW****TL-801**

96-02

Multi tool storage long tube with CO2 cartridges thread. compatible ADP-CO2-A1-T. Include tube holder WB-UHD-22 for two pieces and end cap style storage TL-501 for MTB alloy handle bar. Bicycle pump compatible Presta and Schrader valve.

COMBO PLIER FEATURES:

Master link tool / Master link storage / Valve core tool / Tire lever / Bike chain hook / Storage vault
Patent in multiple countries

MATERIAL: Forged alloy and CNC machined

WEIGHT: 38.5g

TUBELESS REPAIR KIT CONTENT:

Reamer / Plugger / Tire seal strip

6 PCS BITS CONTENT:

Hex3 / 4 / 5 / 6 / PH1 / T25 with tool stick

NEW**TL-800**

96-03

Multi tool storage long tube with CO2 cartridges thread. compatible ADP-CO2-A1-T. Include tube holder WB-UHD-22 for two pieces and end cap style storage TL-501 for MTB alloy handle bar. Bicycle pump compatible Presta and Schrader valve.

COMBO PLIER FEATURES:

Master link tool / Master link storage / Valve core tool / Tire lever / Bike chain hook / Storage vault
Patent in multiple countries

MATERIAL: Forged alloy and CNC machined

WEIGHT: 38.5g

TUBELESS REPAIR KIT CONTENT:

Reamer / Plugger / Tire seal strip

6 Pcs bits content:

Hex3 / 4 / 5 / 6 / PH1 / T25 with tool stick

ADP-CO2-A1-T:

Connect with storage tube through adapter

Fits Presta & USA valve

The simple threaded valve allows easy inflation





P.A.T.ED

NEW
TL-101-1

97-01

6 function pliers.

COMBO PLIERS CONTENT:

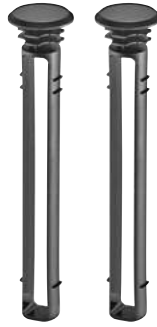
Master link tool / Master link storage / Valve core tool / Tire lever / Storage vault / Bike chain hook

MATERIAL:

Forged AL+CNC machined

WEIGHT: 38.5g/pcs

Patent in multiple countries



NEW
TL-500-1

97-02

MTB handlebar end cap with special multi-tool storage space. (not included multi-tool)

SPEC: For handlebar ID Ø17.5 - Ø20.5mm

MATERIAL: TPEE

NEW
TL-105

97-03

Stainless steel plate nylon container.

CONTENT:

Spoke wrench x 1pcs / Patch x 12pcs
Tire seal strip x 5pcs / Self-adhesive patch x12pcs
Grinder x 1pcs



NEW
F-STRAP-BAG

97-04

Quick and easy to carry repair kits when long distance riding, include mounting bag to helpful for sorting kit.

VELCRO LENGTH: 58cm



Spare part are not included.



NEW
F-STRAP

97-05

Quick and easy to carry repair kits when long distance riding.

VELCRO LENGTH: 58cm



Spare part are not included.



QUICK
RELEASE

THRU AXLE

SEAT CLAMP

TOP CAP

HEADSETS
PARTS

CRANK SET

CHAINRING
SYSTEM

E-BIKE SYSTEM

ROLLER KIT
SERIES

BMX SERIES

CHAINRING
PARTS

CHAIN GUIDE
SYSTEM

BRAKE SYSTEM

SEATPOST

STEM SYSTEM

HANDLEBAR

AEROBAR
SYSTEM

COMPUTER
MOUNT

WATER BOTTLE &
CAGE

ACCESSORIES

FITTING
EQUIPMENT

INLINE SKATES

LAI-J
FOLDING CHAIR

Three different cable routing style. SHIMANO E-tube compatible.



R72-MEC

98-01

For mechanical type adaptor.

MATERIAL: Nylon
WEIGHT: 2.5g/pcs



R72-HND

98-02

For SHIMANO® EW-RS910 Di2 handlebar type junction-A adapter.

MATERIAL: Nylon
WEIGHT: 2g/pcs

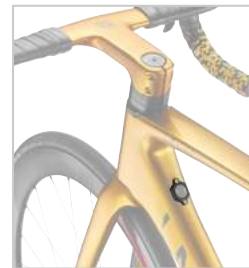


R72-FRM

98-03

For SHIMANO® EW-RS910 Di2. Frame type junction-A adapter.

MATERIAL: Nylon
WEIGHT: 1g/set



NEW / PROMOTION

UDH-HANGER

98-04

The Universal Derailleur Hanger for mountain bike.

MATERIAL: AL7075-T6 / NYLON



RH-WOT-0

98-05

Rear derailleur hanger extension.

MATERIAL: AL6061-T6
COLOR: As Order



R2 / R2-X

98-06

Rear derailleur protector.

R2: Compatible quickrelease dropout.
R2-X: Compatible SHIMANO® shadow derailleur.



RL-85V

98-07

Canti brake rear hanger



RL-85EC

98-08

Canti brake rear hanger



1267A

98-09

Eccentric wheel.

MATERIAL: AL6061-T6



RG-AK1

98-10

Stem spacer ring bell OD Ø28.6mm



RG-ARK

98-11

Stem spacer ring bell OD Ø28.6mm



NEW
WB-ATG-02

99-01

Air Tag holder that mount on the bike frame water bottle attachment point, and zip tip under the bike saddle rail.

MATERIAL: Nylon66
COLOR: Black
WEIGHT: 23g/pcs (With bolt)
Air Tag not included

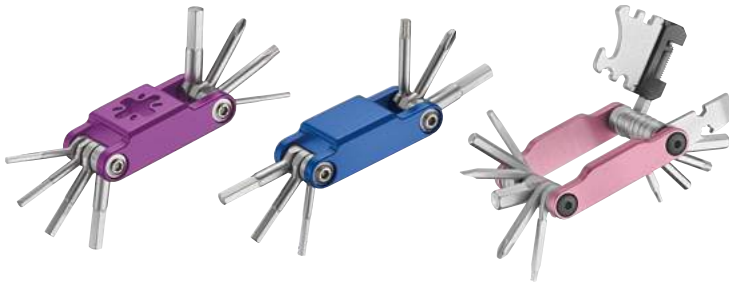


NEW
TK-ATG01

99-02

Top cap with Air Tag holder, special locking tool include.

MATERIAL: Top cap: AL6061
Tool: Nylon
Air Tag not included



TL-F8

TL-F6

TL-F17

TL-F6 / TL-F8 / TL-F17

99-03

6, 8, 17 function bike tool set.
* TL-F6: Hex 3 / 4 / 5 / 6mm, PH2, T25.
* TL-F8: Hex 2 / 2.5 / 3 / 4 / 5 / 6mm, PH2, T25.
* TL-F17: Hex 2 / 2.5 / 3 / 4 / 5 / 6 / 8mm, PH2, SL4, T25.
Spoke wrench SHIMANO® 4.3 / 4.4 / Hex4.6 / MAVIC M7 bottle opener.
Chain breaker (9 / 10 / 11 speed) / Tire lever.

INNER TOOL OF MATERIAL: Chrome Vanadium with durable Matte Chrome plating

FRAME: AL6061-T6 made
COLOR: As Order
WEIGHT: TL-F6: 77g / TL-F8: 79g / TL-F17: 190g/set

PROMOTION
TL-3X-65 / TL-3X-80
TL-3X-B65 / TL-3X-B80

99-04

MATERIAL: Heat treated steel (ASM 6150)
Nylon body
LENGTH: 65mm, 80mm
ALLENKEY TYPE: 4mm, 5mm, 6mm
Customer with logo available



TL-3X

TL-3X-BALL



4mm 5mm 6mm

M-BOT-A / M-BOT-C

99-05

Lamp peg & R.D protector.

MATERIAL:
M-BOT-A: AL6061-T6
M-BOT-C: Carbon



M-BOT-A
(Only for front wheel)



M-BOT-C
(For front and rear wheel)



M-BOT-A



M-BOT-C



QUICK RELEASE

THRU AXLE

SEAT CLAMP

TOP CAP

HEADSETS PARTS

CRANK SET

CHAINRING SYSTEM

E-BIKE SYSTEM

ROLLER KIT SERIES

BMX SERIES

CHAINRING PARTS

CHAIN GUIDE SYSTEM

BRAKE SYSTEM

SEATPOST

STEM SYSTEM

HANDLEBAR

AEROBAR SYSTEM

COMPUTER MOUNT

WATER BOTTLE & CAGE

ACCESSORIES

FITTING EQUIPMENT

INLINE SKATES

LAI-J FOLDING CHAIR



FITTING EQUIPMENT



NEW

ADP-FIT-RHB

101-01

Allow you to find the most appropriate handlebar width swiftly and painlessly. Ease your physical fatigue for long distance riding.

MATERIAL: AL6061
SPEC: 320~440mm
DROP: ±125mm
REACH: ±70mm

Only for fitting setting not for outdoor riding.



Find your perfect handlebar width swiftly.

NEW

ADP-FIT-E220

101-02

Adjustable welding stem.

MATERIAL: AL6066
ANGLE: ±8°
CLAMP HEIGHT: 50mm
C-C: 205mm
STEM TUBE SIZE: Ø28.6mm



Only for fitting setting not for outdoor riding.

NEW

ADP-FIT-SA

101-03

FORK STACK HIGH: Ø40mm, Ø31.8mm with shim Ø28.6mm
HANDLEBAR CLAMP: Ø35mm with shim Ø31.8mm
LENGTH: 50 - 150mm
ANGLE: ±25°



NEW

ADP-FIT-XYA

101-04

Stem slimension inspection platform.

MATERIAL: AL6061-T6
SPEC:
HANDLEBAR STEM: Ø31.8 x Ø34.9 x (H)50mm x 1pcs
SPACER: IDØ28.6 x ODØ34.2 x (H)3mm x 2pcs
 IDØ28.6 x ODØ34.2 x (H)5mm x 2pcs
 IDØ28.6 x ODØ34.2 x (H)10mm x 1pcs
 IDØ31.8 x ODØ38.8 x (H)2.5mm x 2pcs
 IDØ31.8 x ODØ38.8 x (H)5mm x 2pcs
 IDØ31.8 x ODØ38.8 x (H)10mm x 1pcs
SHIM-CC-AL: IDØ28.6 x ODØ31.8 x (H)38mm x 1pcs
 IDØ31.8 x ODØ34.9 x (H)58mm x 1pcs
WEIGHT: 2.515kg/set



NEW

ADP-FIT-CZ

101-05

Precision CNC machines fitting bike sizing cranks.

CRANK LENGTH: 145,150,155,160,165,167.5,170,172.5,175,177.5,180mm

AXLE: 24mm / 30mm

MATERIAL: Crank: AL6061-T6
 Axle: AL7075-T651

CHAINRING: Single 46T



QUICK
RELEASE

THRU AXLE

SEAT CLAMP

TOP CAP

HEADSETS
PARTS

CRANK SET

CHAINRING
SYSTEM

E-BIKE SYSTEM

ROLLER KIT
SERIES

BMX SERIES

CHAINRING
PARTS

CHAIN GUIDE
SYSTEM

BRAKE SYSTEM

SEATPOST

STEM SYSTEM

HANDLEBAR

AEROBAR
SYSTEM

COMPUTER
MOUNT

WATER BOTTLE &
CAGE

ACCESSORIES

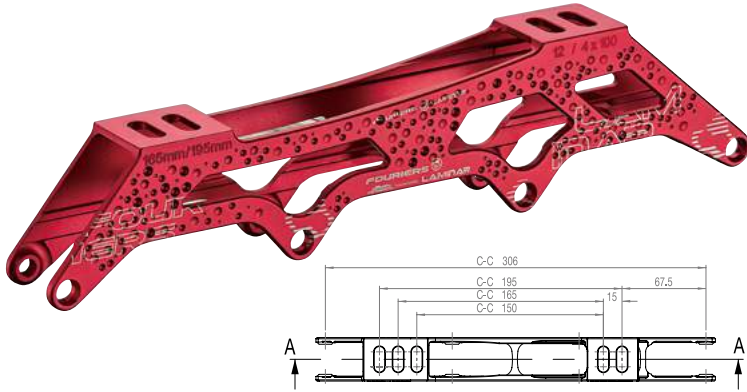
FITTING EQUIPMENT

INLINE SKATES

LAI-J
FOLDING CHAIR



INLINE SKATES

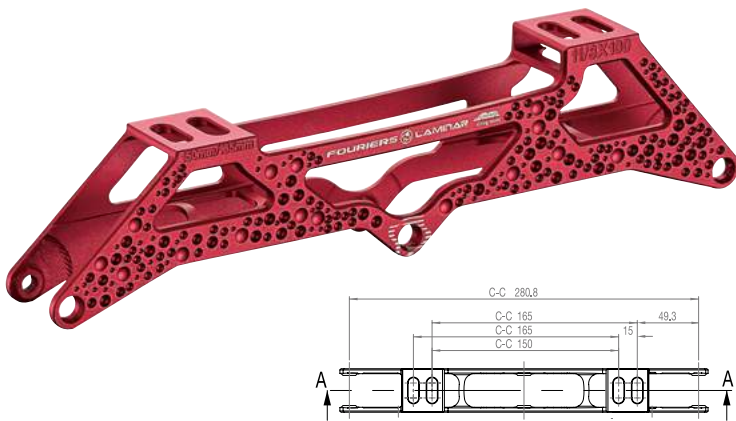


NEW
IL1004-01

103-01

100x4 Inline Frame
Mounting: 2 point
C-C: 150mm / 165mm / 195mm
Spec: 100mm x 4 wheels

WEIGHT: 196g
MATERIAL: AL6061-T6, High compression extruded aluminum material, Surface Aerodynamics, Golf Concave Design, Multi-color selection
NOTE: Frame size C-C 306
Mounting 2 point C-C: 150mm/165mm/195mm
OPTION: Silver color spot CNC made
Multinational patent pending

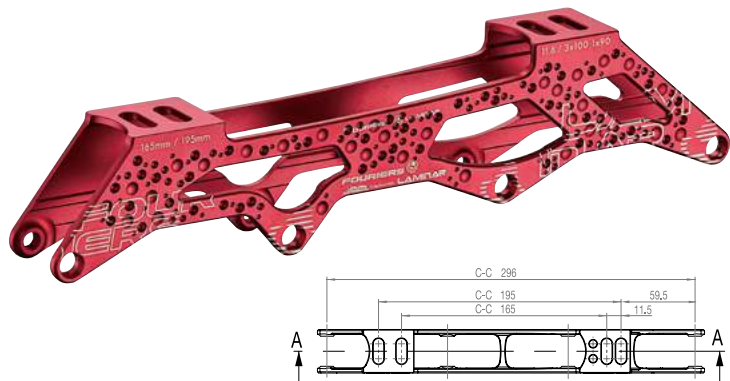


NEW
IL1003-01

103-02

100x3 Inline Frame
Mounting: 2 point
C-C: 150mm / 165mm / 195mm
Spec: 100mm x 3 wheels

WEIGHT: 164g
MATERIAL: AL6061-T6, High compression extruded aluminum material, Surface Aerodynamics, Golf Concave Design, Multi-color selection
NOTE: Frame size C-C 280.8mm
Mounting 2 point C-C: 150mm/165mm
OPTION: Silver color spot CNC made
Multinational patent pending



NEW
IL1003Z-01

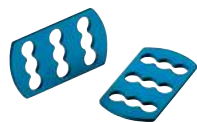
103-03

100x3 + 90x1 Inline Frame
Mounting: 2 point
C-C: 165mm / 195mm
Spec: 100mm x 3 wheels + 90mm x 1 wheels

WEIGHT: 177g
MATERIAL: AL6061-T6, High compression extruded aluminum material, Surface Aerodynamics, Golf Concave Design, Multi-color selection
NOTE: Frame size C-C 296mm
Mounting 2 point C-C: 165mm/195mm
OPTION: Silver color spot CNC made
Multinational patent pending

Kits

Standard spacers/bolts are in 'red' color, but for Red and pink frame, the spacers/bolts are in 'blue' color.



Shoe spacer * 8pcs



Aluminum screw * 8pcs



Bearing inner tube * 8pcs



QUICK RELEASE

THRU AXLE

SEAT CLAMP

TOP CAP

HEADSETS PARTS

CRANK SET

CHAINRING SYSTEM

E-BIKE SYSTEM

ROLLER KIT SERIES

BMX SERIES

CHAINRING PARTS

CHAIN GUIDE SYSTEM

BRAKE SYSTEM

SEATPOST

STEM SYSTEM

HANDLEBAR

AEROBAR SYSTEM

COMPUTER MOUNT

WATER BOTTLE & CAGE

ACCESSORIES

FITTING EQUIPMENT

INLINE SKATES

LAI-J FOLDING CHAIR



Blue



Green



Orange



Black



Pink



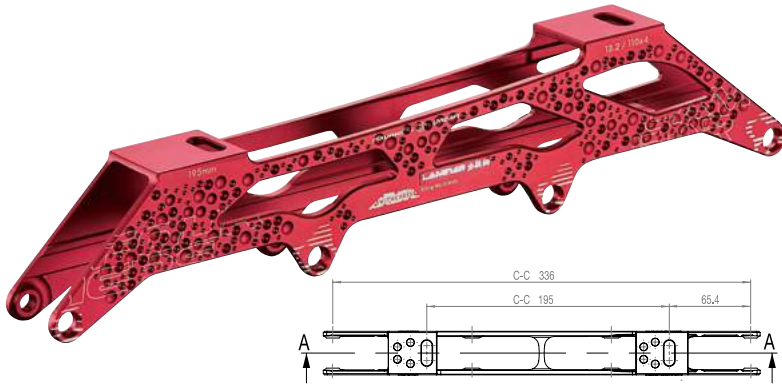
Silver



Dark grey



Red



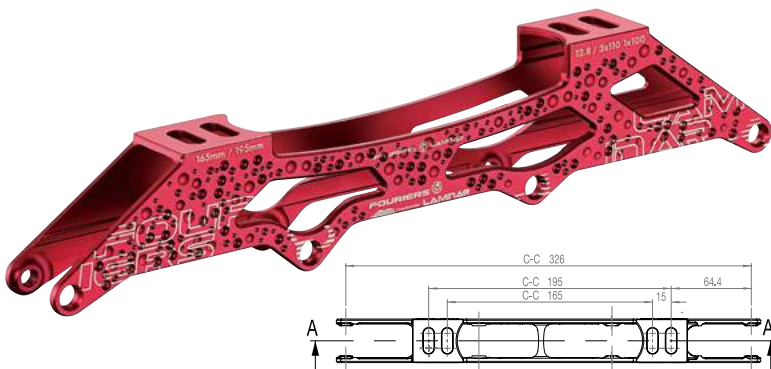
NEW

iL1104-01

104-01

110x4 Inline Frame
Mounting: 2 point
C-C: 195mm
Spec: 110mm x4 wheels

WEIGHT: 208g
MATERIAL: AL6061-T6, High compression extruded aluminum material, Surface Aerodynamics, Golf Concave Design, Multi-color selection
NOTE: Frame size C-C 336mm
 Mounting 2 point C-C: 195mm
OPTION: Silver color spot CNC made
 Multinational patent pending



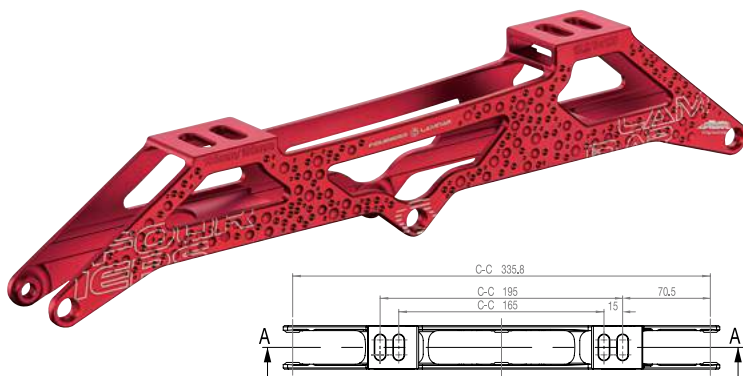
NEW

iL1103Z-01

104-02

110x3 + 100x1 Inline Frame
Mounting: 2 point
C-C: 165mm / 195mm
Spec: 110mm x3 wheels + 100x 1 wheels

WEIGHT: 192g
MATERIAL: AL6061-T6, High compression extruded aluminum material, Surface Aerodynamics, Golf Concave Design, Multi-color selection
NOTE: Frame size C-C 326mm
 Mounting 2 point C-C: 165mm/195mm
OPTION: Silver color spot CNC made
 Multinational patent pending



NEW

iL1203-01

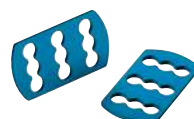
104-03

120x3 Inline Frame
Mounting: 2 point
C-C: 165 / 195mm
Spec: 120mm x 3 wheels

WEIGHT: 199g
MATERIAL: AL6061-T6, High compression extruded aluminum material, Surface Aerodynamics, Golf Concave Design, Multi-color selection
NOTE: Frame size C-C 335.8mm
 Mounting 2 point C-C: 165mm/195mm
OPTION: Silver color spot CNC made
 Multinational patent pending

Kits

Standard spacers/bolts are in 'red' color, but for Red and pink frame, the spacers/bolts are in 'blue' color.



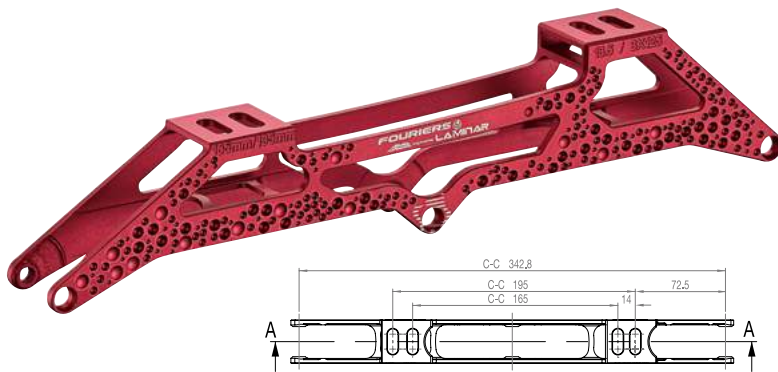
Shoe spacer * 8pcs



Aluminum screw * 8pcs



Bearing inner tube * 8pcs



NEW
iL1253-01

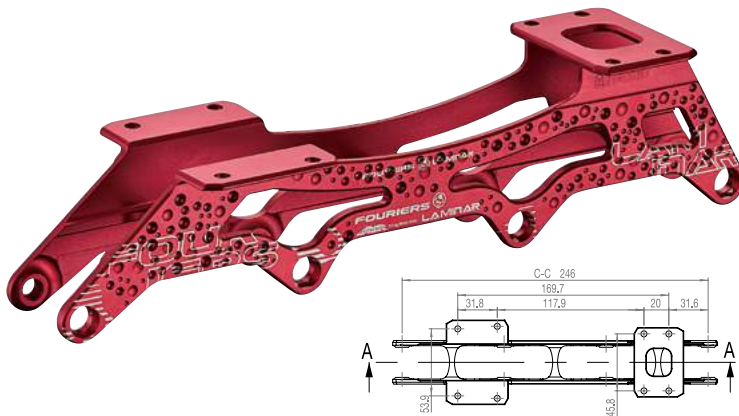
105-01

125x3 Inline Frame
Mounting: 2 point
C-C: 165mm / 195mm
Spec: 125mm x 3 wheels

WEIGHT: 177g
MATERIAL: AL6061-T6, High compression extruded aluminum material, Surface Aerodynamics, Golf Concave Design, Multi-color selection

NOTE: Frame size C-C 342.8mm
Mounting 2 point C-C: 165mm/195mm

OPTION: Silver color spot CNC made
Multinational patent pending



NEW
iL0804-01

105-02

80x4 Inline Frame
Mounting: Size as shown.
Spec: 80mm x 4 wheels

WEIGHT: 140g
MATERIAL: AL6061-T6, High compression extruded aluminum material, Surface Aerodynamics, Golf Concave Design, Multi-color selection

NOTE: Frame size C-C 246mm
OPTION: Silver color spot CNC made
Multinational patent pending



iLB35 *1 105-03

Inline L: 34mm AL7076-T651
CNC made
Hollow bolt anodized, multi-color selection
WEIGHT: 4g



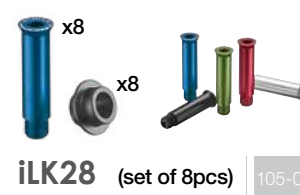
iLB32 *1 105-04

Inline L: 32mm AL7076-T651
CNC made
Hollow bolt anodized, multi-color selection
WEIGHT: 3.75g



iLK18 (set of 8pcs) 105-05

Inline L: 34mm AL7075-T651
CNC made
Hollow bolt 8 pcs; anodized multi-color selection
Bearing inner tube carbon injection disc shape * 8 pcs
TOTAL WEIGHT: 39.5g



iLK28 (set of 8pcs) 105-06

Inline L: 32mm AL7075-T651
CNC made
Hollow bolt 8 pcs; anodized multi-color selection
Bearing inner tube carbon injection disc shape * 8 pcs
TOTAL WEIGHT: 37.7g



iLWS 1 105-07

Shoes spacer AL6061-T6; anodize multi-color selection
WEIGHT: 3.8g



iLWS 8 105-08

Shoes spacer AL6061-T6; anodize multi-color selection * 8pcs
WEIGHT: 30.4g



iLtube10 (set of 8pcs) 105-09

Bearing inner tube carbon injection disc shape * 8 pcs
TOTAL WEIGHT: 8g



QUICK RELEASE

THRU AXLE

SEAT CLAMP

TOP CAP

HEADSETS PARTS

CRANK SET

CHAINRING SYSTEM

E-BIKE SYSTEM

ROLLER KIT SERIES

BMX SERIES

CHAINRING PARTS

CHAIN GUIDE SYSTEM

BRAKE SYSTEM

SEATPOST

STEM SYSTEM

HANDLEBAR

AEROBAR SYSTEM

COMPUTER MOUNT

WATER BOTTLE & CAGE

ACCESSORIES

FITTING EQUIPMENT

INLINE SKATES

LAI-J FOLDING CHAIR

LAI-J FOLDING CHAIR





NEW
LAI-J-AL

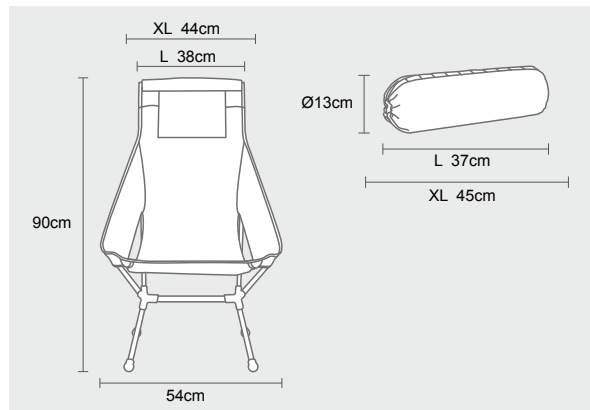
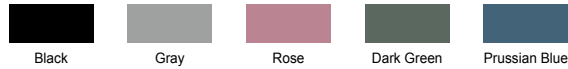
107-01

Wide Seat Space
A High Back to Support Head and Neck
Recyclable Aluminum Alloy Frame and Tube
An Integrated Bottle Holder, a Cellphone Pouch and a Storage Pocket for your convenience
Max Load: 150 kg
P.A.T. ED World Wide

UNFOLDED DIMENSIONS: 540(W) x 900(H) x 660(D) mm
FOLDED DIMENSIONS: L 130(OD) x 370(L) mm
XL 130(OD) x 450(L) mm

WEIGHT: 1330g
WEIGHT CAPACITY: 150kg
SEAT MATERIAL: 600 D Tetorn
FRAME CONSTRUCTION: Aluminum Alloy
TUBE CONSTRUCTION: Aluminum Alloy

SEAT COLOR



NEW
LAI-J-CF

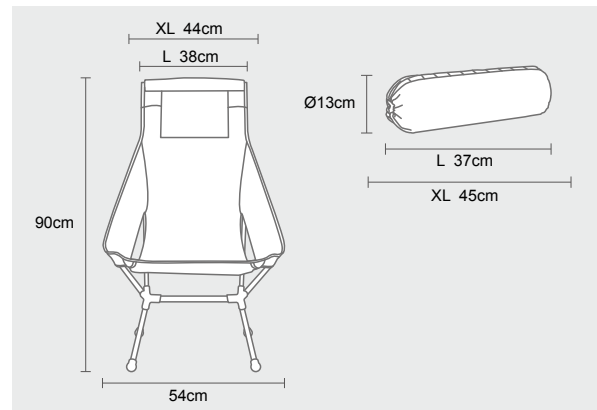
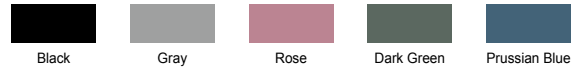
107-02

Wide Seat Space
A High Back to Support Head and Neck
Recyclable Aluminum Alloy Frame and Carbon Fiber Tube
An Integrated Bottle Holder, a Cellphone Pouch and a Storage Pocket for your convenience
Max Load: 150 kg
P.A.T. ED World Wide

UNFOLDED DIMENSIONS: 540(W) x 900(H) x 660(D) mm
FOLDED DIMENSIONS: L 130(OD) x 370(L) mm
XL 130(OD) x 450(L) mm

WEIGHT: 1080g
WEIGHT CAPACITY: 150kg
SEAT MATERIAL: 600 D Tetorn
FRAME CONSTRUCTION: Aluminum Alloy
TUBE CONSTRUCTION: Carbon Fiber

SEAT COLOR



QUICK
RELEASE

THRU AXLE

SEAT CLAMP

TOP CAP

HEADSETS
PARTS

CRANK SET

CHAINING
SYSTEM

E-BIKE SYSTEM

ROLLER KIT
SERIES

BMX SERIES

CHAINING
PARTS

CHAIN GUIDE
SYSTEM

BRAKE SYSTEM

SEATPOST

STEM SYSTEM

HANDLEBAR

AEROBAR
SYSTEM

COMPUTER
MOUNT

WATER BOTTLE &
CAGE

ACCESSORIES

FITTING
EQUIPMENT

INLINE SKATES



On Bike



In Bag



In Scooter



LAI-J FOLDING CHAIR



*Mr.*control™

(PRIME AERO)

LAMINAR ENT. CO., LTD.

LAGEAR ENT. CO., LTD.

禾詰企業有限公司 / 上荏企業有限公司

No. 1, Aly. 207, Ln. 92, Fengnan St., Fengyuan Dist.,
Taichung City, Taiwan R.O.C.

Tel: +886-4-25391989 Fax: +886-4-25391973

Mail: primaero@ms35.hinet.net

www.mrcontrol-bike.com

